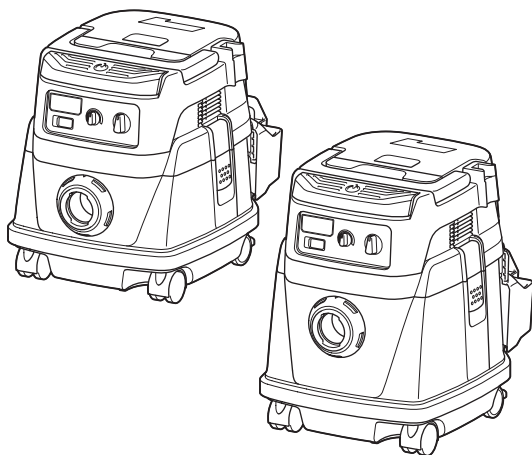


INSTRUCTION MANUAL
MANUEL D'INSTRUCTION
MANUAL DE INSTRUCCIONES



Cordless Vacuum Cleaner Aspirateur Sans Fil Aspiradora Inalámbrica

DVC867L
DVC157L



IMPORTANT: Read Before Using.

IMPORTANT : Lire avant usage.

IMPORTANTE: Lea antes de usar.

SPECIFICATIONS

Model:	DVC867L	DVC157L
Standard filter type	Powder filter (for dry dust)	
Maximum air volume at the end of hose (with BL1850B, ø38 mm (1-1/2") x 2.5 m (98-1/2") hose)	2.4 m ³ /min (85 cu.ft/min)	
Maximum air volume at turbine (with BL1850B)	3.4 m ³ /min (120 cu.ft/min)	
Vacuum (with BL1850B)	11 kPa	
Recoverable capacity	8 L (2.1 gal.)	15 L (4.0 gal.)
Dimensions (L x W x H)	366 mm x 334 mm x 368 mm (14-3/8" x 13-1/8" x 14-1/2")	366 mm x 334 mm x 421 mm (14-3/8" x 13-1/8" x 16-1/2")
Rated voltage	D.C. 36 V	
Net weight	7.7 - 8.4 kg (17.0 - 18.5 lbs)	8.0 - 8.6 kg (17.6 - 19.0 lbs)

- Due to our continuing program of research and development, the specifications herein are subject to change without notice.
- Specifications and battery cartridge may differ from country to country.
- The weight does not include accessories but battery cartridge(s). The lightest and heaviest combination weight of the appliance and battery cartridge(s) are shown in the table.

Applicable battery cartridge and charger

Battery cartridge	BL1815N / BL1820B / BL1830 / BL1830B / BL1840B / BL1850B / BL1860B
Charger	DC18RC / DC18RD / DC18RE / DC18SD / DC18SE / DC18SF / DC18SH

- Some of the battery cartridges and chargers listed above may not be available depending on your region of residence.

⚠WARNING: Only use the battery cartridges and chargers listed above. Use of any other battery cartridges and chargers may cause injury and/or fire.

SAFETY WARNINGS

IMPORTANT SAFETY INSTRUCTIONS

When using an electrical appliance, basic precautions should always be followed, including the following:

READ ALL INSTRUCTIONS BEFORE USING THIS APPLIANCE.

WARNING

To reduce the risk of fire, electric shock or injury:

1. **Do not leave appliance when battery fitted. Remove battery from appliance when not in use and before servicing.**
2. **Do not use on wet surfaces. Do not expose to rain. Store indoors.**
3. **Do not allow to be used as a toy. Close attention is necessary when used by or near children.**
4. **Use only as described in this manual. Use only manufacturer's recommended attachments.**

5. **Do not use with damaged battery. If appliance is not working as it should, has been dropped, damaged, left outdoors, or dropped into water, return it to a service center.**
 6. **Do not handle battery or appliance with wet hands.**
 7. **Do not put any object into openings. Do not use with any opening blocked; keep free of dust, lint, hair, and anything that may reduce air flow.**
 8. **Keep hair, loose clothing, fingers, and all parts of body away from openings and moving parts.**
 9. **Turn off all controls before removing the battery cartridge.**
 10. **Use extra care when cleaning on stairs.**
 11. **Do not use to pick up flammable or combustible liquids, such as gasoline, or use in areas where they may be present.**
 12. **Use only the charger supplied by the manufacturer to recharge.**
 13. **Do not pick up anything that is burning or smoking, such as cigarettes, matches, or hot ashes.**
 14. **Always make sure that filters are correctly installed before use. Do not use the cleaner without filters in place. Replace a damaged filter immediately. It is recommended to have some spares as filters are consumable items.**
 15. **Do not charge the battery outdoors.**
 16. **Do not use the cleaner as a stool or work bench. The machine may fall down and may result in personal injury.**
 17. **Do not pick up foam or soapy liquid. It can cause foam to come out of air exit, resulting in electric shock and damage to the cleaner.**
 18. **Do not vacuum the following:**
 - **Flammable liquid (kerosene, gasoline, solvents such as benzine, thinner, etc.)**
 - **Hot substances that are burning or smoking (cigarettes, matches, incense sticks, candles, hot ashes), sparks and metal dust generated by cutting or grinding metal, etc.)**
 - **Flammable material (toner, paint, spray, etc.)**
 - **Foam like carpet cleaning agent, etc. (they may cause explosion or fire)**
 - **Explosive or pyrophoric substances (nitroglycerin, aluminum, magnesium, titanium, zinc, red phosphorus, yellow phosphorus, celluloid, etc. and their dust, gas or steam)**
 - **Sharp objects (glass, cutlery, wood splinter, metal, stone, nail, razor, push pin, etc.)**
 - **Solidifying and conductive fine powder (metal or carbon powder)**
 - **Dehumidifier**
 - **Large amount of powder (flour, fire extinguisher powder, etc.)**
 - **Substances that cause toxic symptoms**
 - **Aggressive chemicals (acid, leach, etc.)**
 - **Liquid or damp garbage, including vomit and excreta**
 - **Asbestos**
 - **Pesticides**
- Such action may cause fire, injury and/or property damage. To reduce your exposure to these chemicals, always wear approved respiratory protection such as dust masks that are specially designed to filter out microscopic particles. Direct the exhaust air away from your face and body.**
- NOTE: Read the OSHA regulation on silica dust to understand the requirements needed to reduce exposure to silica dust at the job-site. Specific rules apply to the drilling, demolition cutting and grinding materials that contain silica. All OSHA requirements regarding reducing silica dust can be found at the OSHA website: www.osha.gov.**

Battery tool use and care



- Prevent unintentional starting.** Ensure the switch is in the off-position before connecting to battery pack, picking up or carrying the appliance. Carrying the appliance with your finger on the switch or energizing appliance that have the switch on invites accidents.
- Disconnect the battery pack from the appliance before making any adjustments, changing accessories, or storing appliance.** Such preventive safety measures reduce the risk of starting the appliance accidentally.
- Recharge only with the charger specified by the manufacturer.** A charger that is suitable for one type of battery pack may create a risk of fire when used with another battery pack.
- Use appliances only with specifically designated battery packs.** Use of any other battery packs may create a risk of injury and fire.
- When battery pack is not in use, keep it away from other metal objects, like paper clips, coins, keys, nails, screws or other small metal objects, that can make a connection from one terminal to another.** Shorting the battery terminals together may cause burns or a fire.
- Under abusive conditions, liquid may be ejected from the battery; avoid contact. If contact accidentally occurs, flush with water. If liquid contacts eyes, additionally seek medical help.** Liquid ejected from the battery may cause irritation or burns.
- Do not use a battery pack or appliance that is damaged or modified.** Damaged or modified batteries may exhibit unpredictable behavior resulting in fire, explosion or risk of injury.
- Do not expose a battery pack or appliance to fire or excessive temperature.** Exposure to fire or temperature above 130 °C may cause explosion.
- Follow all charging instructions and do not charge the battery pack or appliance outside of the temperature range specified in the instructions.** Charging improperly or at temperatures outside of the specified range may damage the battery and increase the risk of fire.
- Have servicing performed by a qualified repair person using only identical replacement parts.** This will ensure that the safety of the product is maintained.
- Do not modify or attempt to repair the appliance or the battery pack except as indicated in the instructions for use and care.**

SAVE THESE INSTRUCTIONS.

This appliance is intended for commercial use.

Symbols

The followings show the symbols used for tool.

v	volts
≡	direct current
	Take particular care and attention.
	Never stand on the cleaner.

Important safety instructions for battery cartridge

- Before using battery cartridge, read all instructions and cautionary markings on (1) battery charger, (2) battery, and (3) product using battery.**
- Do not disassemble or tamper the battery cartridge.** It may result in a fire, excessive heat, or explosion.

3. **If operating time has become excessively shorter, stop operating immediately. It may result in a risk of overheating, possible burns and even an explosion.**
4. **If electrolyte gets into your eyes, rinse them out with clear water and seek medical attention right away. It may result in loss of your eyesight.**
5. **Do not short the battery cartridge:**
 - (1) **Do not touch the terminals with any conductive material.**
 - (2) **Avoid storing battery cartridge in a container with other metal objects such as nails, coins, etc.**
 - (3) **Do not expose battery cartridge to water or rain.**

A battery short can cause a large current flow, overheating, possible burns and even a breakdown.
6. **Do not store and use the tool and battery cartridge in locations where the temperature may reach or exceed 50 °C (122 °F).**
7. **Do not incinerate the battery cartridge even if it is severely damaged or is completely worn out. The battery cartridge can explode in a fire.**
8. **Do not nail, cut, crush, throw, drop the battery cartridge, or hit against a hard object to the battery cartridge.** Such conduct may result in a fire, excessive heat, or explosion.
9. **Do not use a damaged battery.**
10. **The contained lithium-ion batteries are subject to the Dangerous Goods Legislation requirements.** For commercial transports e.g. by third parties, forwarding agents, special requirement on packaging and labeling must be observed. For preparation of the item being shipped, consulting an expert for hazardous material is required. Please also observe possibly more detailed national regulations. Tape or mask off open contacts and pack up the battery in such a manner that it cannot move around in the packaging.
11. **When disposing the battery cartridge, remove it from the tool and dispose of it in a safe place. Follow your local regulations relating to disposal of battery.**
12. **Use the batteries only with the products specified by Makita.** Installing the batteries to non-compliant products may result in a fire, excessive heat, explosion, or leak of electrolyte.
13. **If the tool is not used for a long period of time, the battery must be removed from the tool.**
14. **During and after use, the battery cartridge may take on heat which can cause burns or low temperature burns. Pay attention to the handling of hot battery cartridges.**
15. **Do not touch the terminal of the tool immediately after use as it may get hot enough to cause burns.**
16. **Do not allow chips, dust, or soil stuck into the terminals, holes, and grooves of the battery cartridge.** It may cause heating, catching fire, burst and malfunction of the tool or battery cartridge, resulting in burns or personal injury.
17. **Unless the tool supports the use near high-voltage electrical power lines, do not use the battery cartridge near a high-voltage electrical power lines.** It may result in a malfunction or breakdown of the tool or battery cartridge.
18. **Keep the battery away from children.**

SAVE THESE INSTRUCTIONS.

⚠ CAUTION: Only use genuine Makita batteries. Use of non-genuine Makita batteries, or batteries that have been altered, may result in the battery bursting causing fires, personal injury and damage. It will also void the Makita warranty for the Makita tool and charger.

Tips for maintaining maximum battery life

1. Charge the battery cartridge before completely discharged. Always stop tool operation and charge the battery cartridge when you notice less tool power.
2. Never recharge a fully charged battery cartridge. Overcharging shortens the battery service life.
3. Charge the battery cartridge with room temperature at 10 °C - 40 °C (50 °F - 104 °F). Let a hot battery cartridge cool down before charging it.
4. When not using the battery cartridge, remove it from the tool or the charger.
5. Charge the battery cartridge if you do not use it for a long period (more than six months).

Important safety instructions for wireless unit

1. Do not disassemble or tamper with the wireless unit.
2. Keep the wireless unit away from young children. If accidentally swallowed, seek medical attention immediately.
3. Use the wireless unit only with Makita tools.
4. Do not expose the wireless unit to rain or wet conditions.
5. Do not use the wireless unit in places where the temperature exceeds 50 °C (122 °F).
6. Do not operate the wireless unit in places where medical instruments, such as heart pace makers are nearby.
7. Do not operate the wireless unit in places where automated devices are nearby. If operated, automated devices may develop malfunction or error.
8. Do not operate the wireless unit in places under high temperature or places where static electricity or electrical noise could be generated.
9. The wireless unit can produce electromagnetic fields (EMF) but they are not harmful to the user.
10. The wireless unit is an accurate instrument. Be careful not to drop or strike the wireless unit.
11. Avoid touching the terminal of the wireless unit with bare hands or metallic materials.
12. Always remove the battery on the product when installing the wireless unit into it.
13. When opening the lid of the slot, avoid the place where dust and water may come into the slot. Always keep the inlet of the slot clean.
14. Always insert the wireless unit in the correct direction.
15. Do not press the wireless activation button on the wireless unit too hard and/or press the button with an object with a sharp edge.
16. Always close the lid of the slot when operating.
17. Do not remove the wireless unit from the slot while the power is being supplied to the tool. Doing so may cause a malfunction of the wireless unit.
18. Do not remove the sticker on the wireless unit.
19. Do not put any sticker on the wireless unit.
20. Do not leave the wireless unit in a place where static electricity or electrical noise could be generated.
21. Do not leave the wireless unit in a place subject to high heat, such as a car sitting in the sun.
22. Do not leave the wireless unit in a dusty or powdery place or in a place corrosive gas could be generated.
23. Sudden change of the temperature may bedew the wireless unit. Do not use the wireless unit until the dew is completely dried.
24. When cleaning the wireless unit, gently wipe with a dry soft cloth. Do not use benzine, thinner, conductive grease or the like.
25. When storing the wireless unit, keep it in the supplied case or a static-free container.
26. Do not insert any devices other than Makita wireless unit into the slot on the tool.
27. Do not use the tool with the lid of the slot damaged. Water, dust, and dirt come into the slot may cause malfunction.
28. Do not pull and/or twist the lid of the slot more than necessary. Restore the lid if it comes off from the tool.
29. Replace the lid of the slot if it is lost or damaged.

SAVE THESE INSTRUCTIONS.

PARTS DESCRIPTION

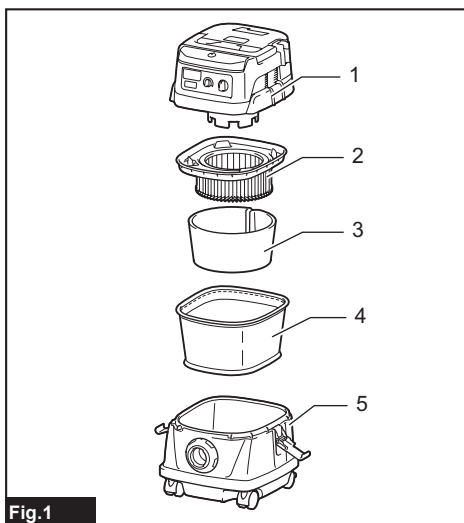


Fig.1

- 1. Tank cover 2. Powder filter (HEPA) 3. Damper
4. Prefilter 5. Tank

FUNCTIONAL DESCRIPTION

CAUTION: Always be sure that the tool is switched off and the battery cartridge is removed before adjusting or checking function on the tool.

Installing or removing battery cartridge

CAUTION: Always switch off the tool before installing or removing of the battery cartridge.

CAUTION: Hold the cleaner and the battery cartridge firmly when installing or removing battery cartridge. Failure to hold the cleaner and the battery cartridge firmly may cause them to slip off your hands and result in damage to the cleaner and battery cartridge and a personal injury.

CAUTION: Be careful not to pinch your fingers when opening or closing the battery cover. Failure to do so may cause personal injury.

To install the battery cartridge, release the lock first, and then open the battery cover. After that, insert the battery cartridge.

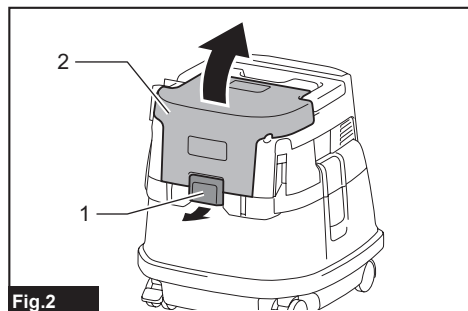


Fig.2
► 1. Lock 2. Battery cover

Align the tongue on the battery cartridge with the groove in the housing and slip it into place. Insert it all the way until it locks in place with a little click. Then lock the battery cover.

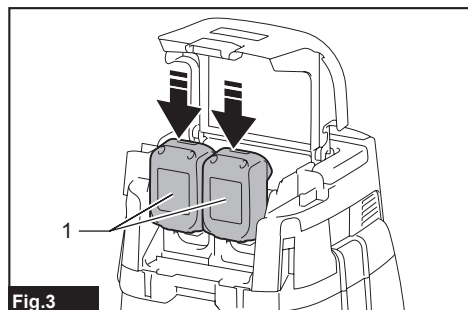


Fig.3
► 1. Battery cartridge

To remove the battery cartridge, slide it from the tool while sliding the button in front of the cartridge.

CAUTION: Always install the battery cartridge fully until the red indicator cannot be seen. If not, it may accidentally fall out of the cleaner, causing injury to you or someone around you.

CAUTION: Do not install the battery cartridge forcibly. If the cartridge does not slide in easily, it is not being inserted correctly.

NOTE: The cleaner does not work with only one battery cartridge.

Indicating the remaining battery capacity

Only for battery cartridges with the indicator

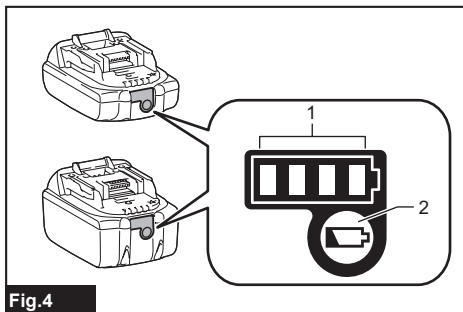


Fig.4

► 1. Indicator lamps 2. Check button

Press the check button on the battery cartridge to indicate the remaining battery capacity. The indicator lamps light up for a few seconds.

Indicator lamps			Remaining capacity
Lighted	Off	Blinking	
■ ■ ■ ■			75% to 100%
■ ■ ■ □			50% to 75%
■ ■ □ □			25% to 50%
■ □ □ □			0% to 25%
▣ □ □ □			Charge the battery.
■ ■ □ □			The battery may have malfunctioned.
□ □ ■ ■			

NOTE: Depending on the conditions of use and the ambient temperature, the indication may differ slightly from the actual capacity.

NOTE: The first (far left) indicator lamp will blink when the battery protection system works.

Indicating the remaining battery capacity

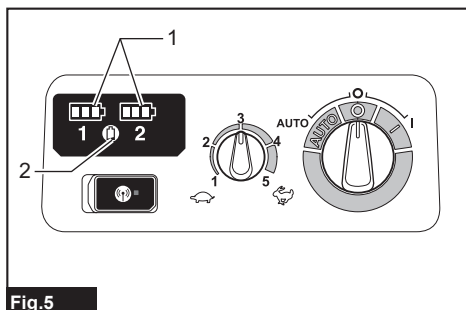


Fig.5

► 1. Battery indicator 2. Check button

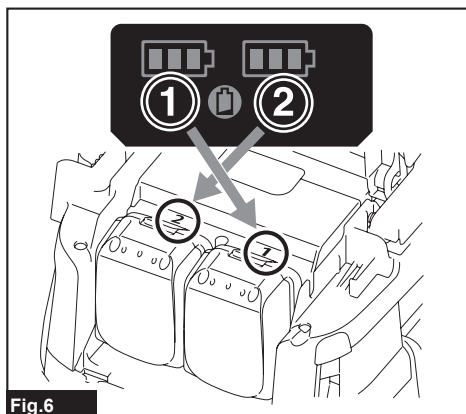


Fig.6

Press the check button to indicate the remaining battery capacities. The battery indicators correspond to each battery.

Battery indicator status			Remaining battery capacity
On	Off	Blinking	
			50% to 100%
			20% to 50%
			0% to 20%
			Charge the battery

NOTE: During the cleaner turned on with the stand-by switch set to "AUTO", the battery indicator does not work.

Tool / battery protection system

The tool is equipped with a tool/battery protection system. This system automatically cuts off power to the motor to extend tool and battery life. The tool will automatically stop during operation if the tool or battery is placed under one of the following conditions:

Overload protection

When the tool is operated in a manner that causes it to draw an abnormally high current, the tool automatically stops without any indication. In this situation, turn the tool off and stop the application that caused the tool to become overloaded. Then turn the tool on to restart.

Overheat protection

<input type="checkbox"/> On	<input checked="" type="checkbox"/> Blinking

When the tool is overheated, the tool stops automatically, and the battery indicator blinks about 60 seconds. In this situation, let the tool cool down before turning the tool on again.

Overdischarge protection

When the battery capacity becomes low, the tool stops automatically. If the product does not operate even when the switches are operated, remove the batteries from the tool and charge the batteries.

Switch action

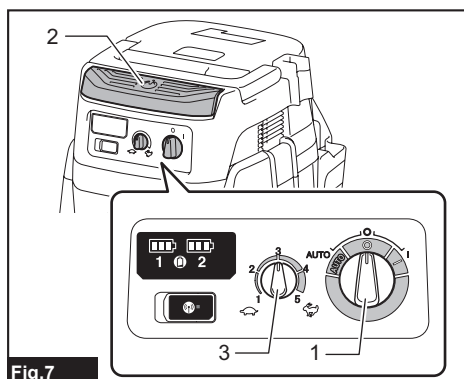


Fig.7

► 1. Stand-by switch 2. Power button 3. Suction force adjusting knob

To start the cleaner:

1. Set the stand-by switch to the "I" side. The cleaner gets into stand-by state.
2. Press the power button.

To make the cleaner get into stand-by mode, press the power button again.

To turn off the cleaner, set the stand-by switch to the "O" side.

The suction power can be adjusted according to your work need. Suction power can be increased by turning the suction force adjusting knob from the symbol to the symbol.

NOTICE: Always set the stand-by switch to the "O" side when not using the cleaner for long time. The cleaner consumes power during stand-by state.

Locking or unlocking the caster

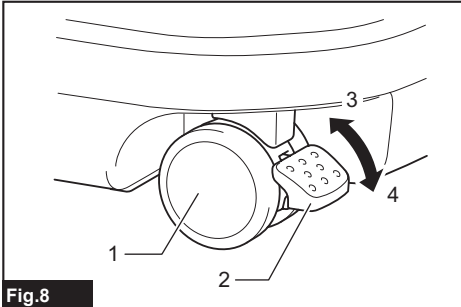


Fig.8

- ▶ 1. Caster 2. Stopper lever 3. FREE position
- 4. LOCK position

Locking the caster is convenient when storing the cleaner, stopping the work on the way and keeping the cleaner still.

To operate the stopper, move it by hand.

To lock the caster with a stopper, lower the stopper lever and the caster no longer will rotate. To release the caster from the locked position, raise the stopper lever.

NOTE: When moving the cleaner, make sure that the caster is unlocked. Moving the cleaner with the caster in the locked position may cause damage to the caster.

Carriage handle

When carrying the cleaner, carry it by holding the handle on the head. The handle is retractable at the head when not in use.

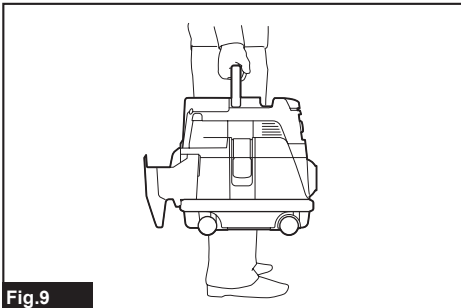


Fig.9

ASSEMBLY

CAUTION: Always be sure that the tool is switched off and the battery cartridge is removed before carrying out any work on the tool.

CAUTION: Always wear dust mask during assembly or maintenance.

Installing the powder filter (HEPA) and prefilter (for dry dust)

CAUTION: Never pick up water or other liquids or wet dusts when using the powder filter. Picking up such things may cause the powder filter breakage.

To use powder filter:

1. Place the prefilter in the tank while aligning the mounting position markings.
2. Mount the damper on the powder filter and then place them in the prefilter while aligning the mounting position markings.
3. Mount the tank cover and lock it.

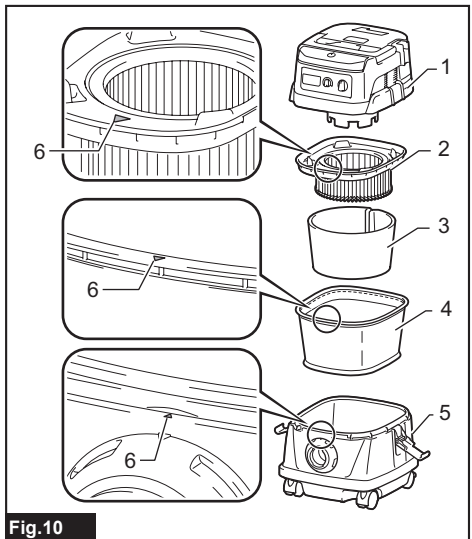


Fig.10

- ▶ 1. Tank cover 2. Powder filter (HEPA) 3. Damper
- 4. Prefilter 5. Tank 6. Mounting position marking

NOTICE: Before using the powder filter, make sure that prefilter and damper are used together. It is not allowed to install powder filter alone.

Installing the paper pack

Optional accessory

⚠ WARNING: When using the paper pack, also use the prefilter together that is preinstalled on the tool. Failure to use the prefilter together may cause unusual noise and heat, resulting in a fire.

⚠ CAUTION: Before using the paper pack, make sure that powder filter, damper and prefilter are always used together.

1. Extend the paper pack.
2. Align the paper pack opening with the dust suction opening of the cleaner.
3. Insert the cardboard part of the paper pack onto the holder so that it is positioned at the end beyond the detent protrusion.

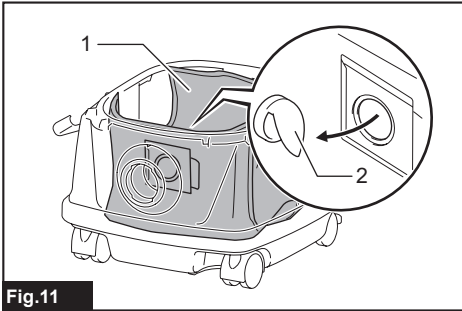


Fig.11

- 1. Paper pack 2. Holder

Installing the polyethylene bag

Cleaner can also be used without polyethylene bag. However, using polyethylene bag is easier to empty the tank without letting your hands dirty.

Spread the polyethylene bag in the tank. Insert it between the holder plate and the tank, and pull it to the hose inlet.

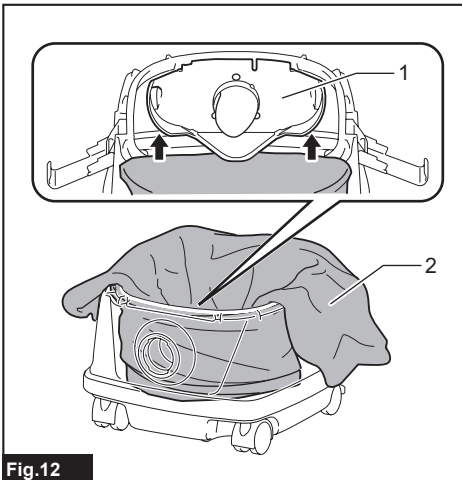


Fig.12

- 1. Holder plate 2. Polyethylene bag

Spread the bag around the top of the tank so that the prefilter edge can catch and hold the bag securely.

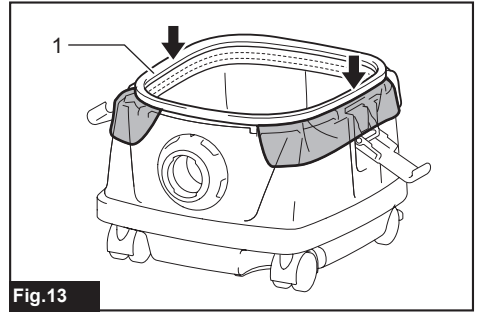


Fig.13

- 1. Prefilter

NOTE: A polyethylene bag available on the market can be used. 0.04 mm or thicker one is recommended.

NOTE: Too much dust will tear the bag easily, so do not collect the dust more than the half of the bag capacity.

Emptying the polyethylene bag

⚠ WARNING: Always make sure that the cleaner is switched off and the battery cartridge is removed before emptying the polyethylene bag. Failure to do so may cause an electric shock and serious personal injury.

⚠ CAUTION: Do not apply a great impact on the tank. Applying a great impact may cause deformation and damage to the parts.

⚠ CAUTION: Empty the tank at least once a day although this depends on picked-up dust volume in the tank. Or, the suction force will weaken and the motor may be broken.

⚠ CAUTION: Do not grab the hook when emptying the tank. Grabbing the hook may cause the hook to break.

Unhook and lift up the tank cover.

Shake off the dust from the prefilter and then take the polyethylene bag out of the tank.

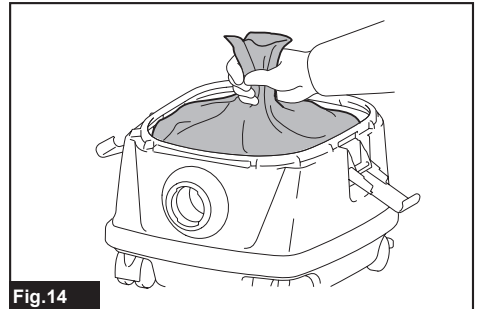


Fig.14

NOTE: Take the polyethylene bag carefully out of the tank so that the polyethylene bag cannot be caught and torn by the protrusion inside the tank when emptying it.

NOTE: Empty the polyethylene bag before it becomes full. Too much dust in the tank may cause the polyethylene bag to be torn.

Installing the tool box

1. Release the lock of the battery cover, and open the battery cover.
2. Set the rails on the tool box along the grooves on the housing.
3. Close the battery cover and apply the lock.

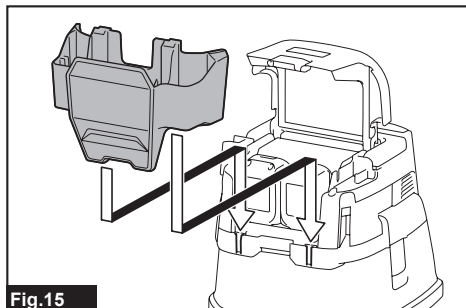


Fig.15

The tool box is convenient for carrying batteries, pipe, or cuffs.

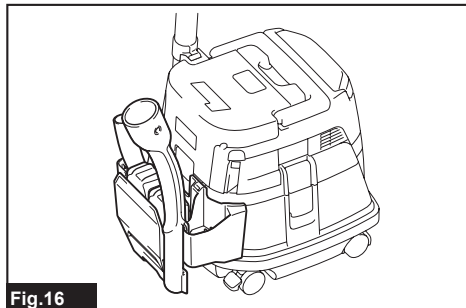


Fig.16

Connecting the hose

NOTICE: Never force the hose for bending or stamp it. Never move the cleaner by a hose. Forcing, stamping and pulling the hose may cause a breakage or deformation of the hose.

NOTICE: When picking up large wastes such as planer carvings, concrete dusts or similar other than small wastes, use the 38 mm inner diameter hose (optional accessory). Using the 28 mm inner diameter hose (optional accessory) may cause a hose stuffing and damage.

Insert the hose onto the mounting port of the tank and turn it clockwise until it locks.

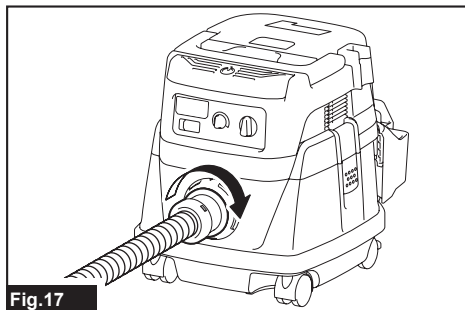


Fig.17

Connecting the attachment with lock function

Optional accessory

Insert the attachment into the suction inlet until it clicks. To remove, pull the attachment while pushing the release button.

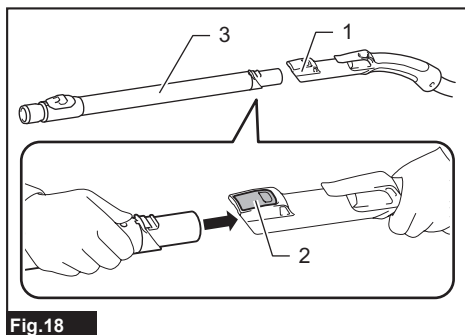


Fig.18

- ▶ 1. Suction inlet with lock function 2. Release button 3. Attachment with lock function

NOTE: The attachment with lock function is available when using the suction inlet with lock function.

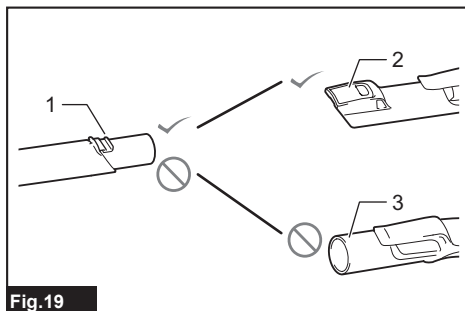


Fig.19

- ▶ 1. Attachment with lock function 2. Suction inlet with lock function 3. Suction inlet without lock function

Adjusting the length of the slide-type extension wand

Optional accessory

With pressing the slide button, adjust the wand length. The length is locked when releasing the slide button.

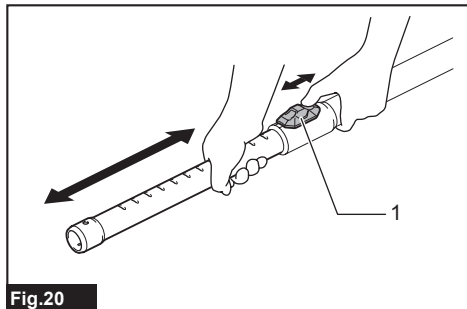


Fig.20

► 1. Slide button

WIRELESS ACTIVATION FUNCTION

What you can do with the wireless activation function

The wireless activation function enables clean and comfortable operation. By connecting a supported tool to the cleaner, you can run the cleaner automatically with the switch operation of the tool.

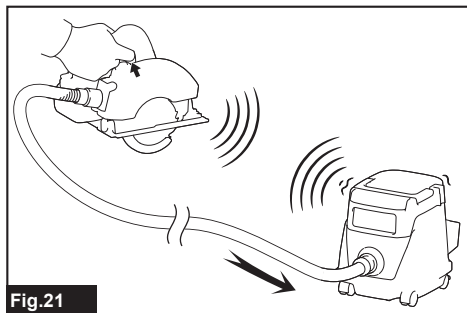


Fig.21

NOTICE: Be sure to refer to the instruction manual of the tool when using the cleaner with wireless activation function.

NOTICE: Do not disassemble or tamper with the wireless unit.

NOTICE: To prevent dust coming into the slot of the wireless unit, always close the lid securely during operation and storage.

NOTICE: Do not remove the wireless unit while the power is being supplied. Doing so may cause a malfunction of the wireless unit.

NOTICE: Do not press the wireless activation button too hard and/or press the button with an object with a sharp edge.

NOTE: Wireless activation needs Makita tools equipped with the wireless unit.

NOTE: Prior to the initial use of the wireless activation function with each tool, the tool registration is required. Once the registration is finished with the tool, the re-registration is not required unless it is cancelled.

NOTE: Before registration, be sure that the wireless unit is properly inserted.

NOTE: One wireless unit can register up to 10 links with other wireless units. If more than 10 other wireless units are registered to one wireless unit, the one registered earliest will be cancelled automatically.

NOTE: The position of the wireless activation button varies depending on the tool.

NOTE: The cleaner also starts by pressing the power button when the stand-by switch is set to "AUTO". However the power button will not actuate when the wireless activation function is used.

Installing the wireless unit

CAUTION: Place the cleaner on a flat and stable surface when installing the wireless unit.

NOTICE: Clean the dust and dirt on the cleaner before installing the wireless unit. Dust or dirt may cause malfunction if it comes into the slot of the wireless unit.

NOTICE: To prevent the malfunction caused by static, touch a static discharging material, such as a metallic part, before picking up the wireless unit.

NOTICE: When installing the wireless unit, always be sure that the wireless unit is inserted in the correct direction and the lid is completely closed.

1. Open the lid on the cleaner as shown in the figure.

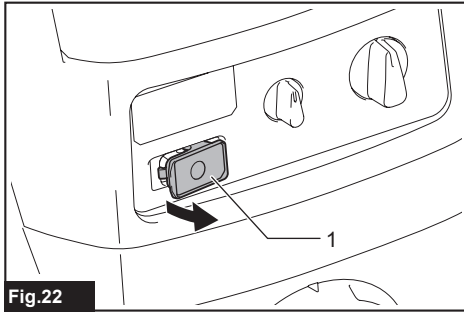


Fig.22

- ▶ 1. Lid

2. Insert the wireless unit to the slot and then close the lid. When inserting the wireless unit, align the projections with the recessed portions on the slot.

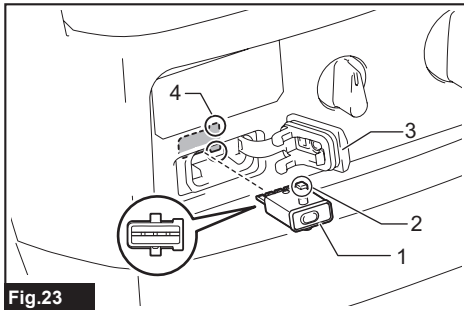


Fig.23

- ▶ 1. Wireless unit 2. Projection 3. Lid 4. Recessed portion

When removing the wireless unit, open the lid slowly. The hooks on the back of the lid will lift the wireless unit as you pull up the lid.

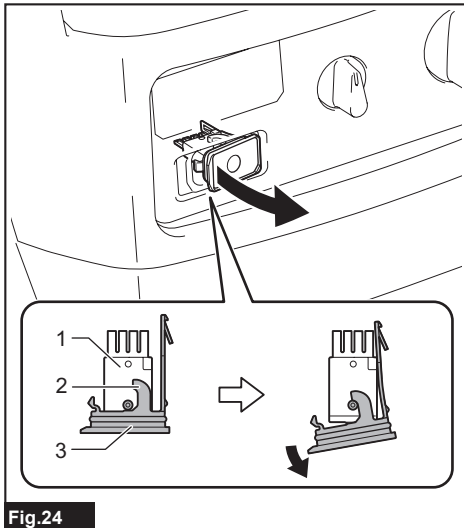


Fig.24

- ▶ 1. Wireless unit 2. Hook 3. Lid

After removing the wireless unit, keep it in the supplied case or a static-free container.

NOTICE: Always use the hooks on the back of the lid when removing the wireless unit. If the hooks do not catch the wireless unit, close the lid completely and open it slowly again.

Tool registration for the cleaner

NOTE: A Makita tool supporting the wireless activation function is required for the tool registration.

NOTE: Finish installing the wireless unit to the tool before starting the tool registration.

NOTE: During the tool registration, do not pull the switch trigger on the tool or turn on the power switch on the cleaner.

NOTE: Refer to the instruction manual of the tool, too.

If you wish to activate the cleaner along with the switch operation of the tool, finish the tool registration beforehand.

1. Install the wireless units to the cleaner and the tool, respectively.
2. Install the batteries to the cleaner and the tool.
3. Set the stand-by switch on the cleaner to "AUTO".

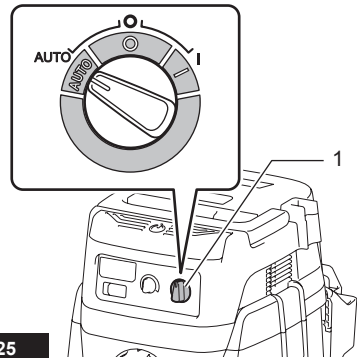


Fig.25

- ▶ 1. Stand-by switch

4. Press the wireless activation button on the cleaner for 3 seconds until the wireless activation lamp blinks in green. And then press the wireless activation button on the tool in the same way.

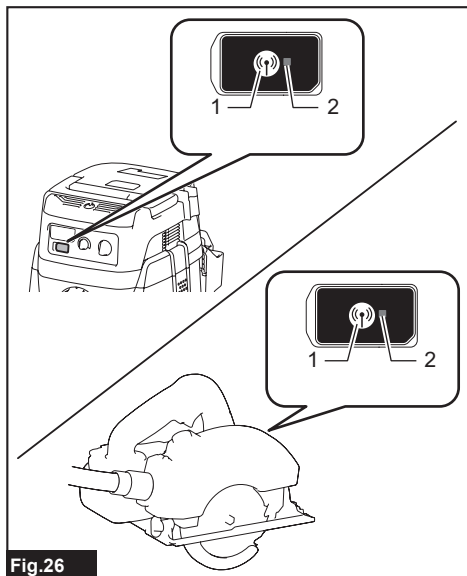


Fig.26

- 1. Wireless activation button 2. Wireless activation lamp

If the cleaner and the tool are linked successfully, the wireless activation lamps will light up in green for 2 seconds and start blinking in blue.

NOTE: The wireless activation lamps finish blinking in green after 20 seconds elapsed. Press the wireless activation button on the tool while the wireless activation lamp on the cleaner is blinking. If the wireless activation lamp does not blink in green, push the wireless activation button briefly and hold it down again.

NOTE: When performing two or more tool registration for the cleaner, finish the tool registration one by one.

Starting the wireless activation function

NOTE: Finish the tool registration for the cleaner for wireless activation.

NOTE: Always place the cleaner so that you can see the status of the wireless activation lamp.

NOTE: Refer to the instruction manual of the tool, too.

After registering a tool to the cleaner, the cleaner will automatically runs along with the switch operation of the tool.

1. Install the wireless units to the cleaner and the tool, respectively.
2. Install the batteries to the cleaner and the tool.

3. Connect the hose of the cleaner with the tool.

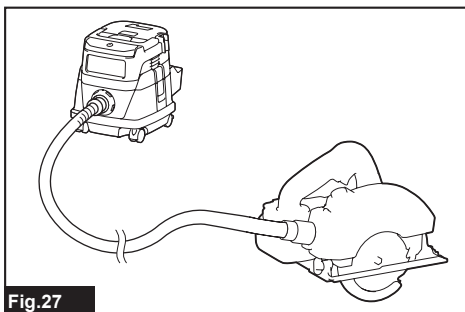


Fig.27

4. Set the stand-by switch on the cleaner to "AUTO".

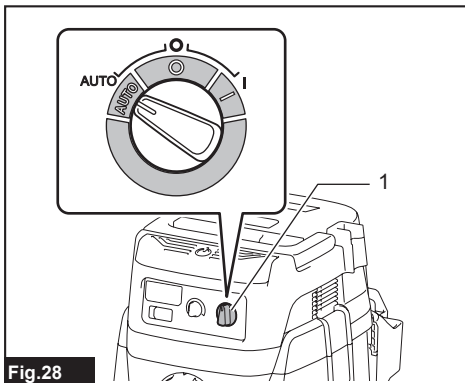


Fig.28

- 1. Stand-by switch

5. Push the wireless activation button on the tool briefly. The wireless activation lamp will blink in blue.

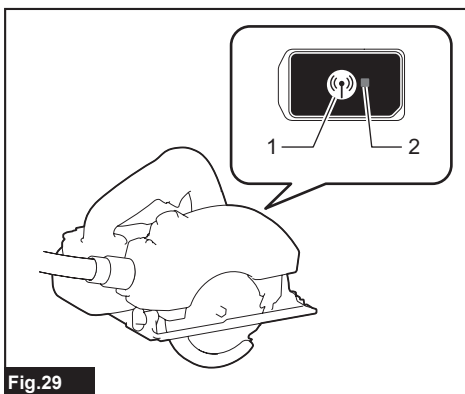


Fig.29

- 1. Wireless activation button 2. Wireless activation lamp

6. Turn on the tool. Check if the cleaner runs while the tool is operating.

CAUTION: Always check if the wireless activation function works before starting a work with the tool.

To stop the wireless activation, push the wireless activation button on the tool, or set the stand-by switch on the cleaner to "I" or "O".

NOTE: The wireless activation lamp on the tool will stop blinking in blue when there is no operation for 2 hours. In this case, set the stand-by switch on the cleaner to "AUTO" and press the wireless activation button on the tool again.

NOTE: The cleaner starts/stops with a delay. There is a time lag when the cleaner detects a switch operation of the tool.

NOTE: The transmission distance of the wireless unit may vary depending on the location and surrounding circumstances.

NOTE: When two or more tools are registered to one cleaner, the cleaner may start running even if you do not turn on the tool because other user is using the wireless activation function.

Cancelling tool registration for the cleaner

Perform the following procedure when cancelling the tool registration for the cleaner.

1. Install the wireless units to the cleaner and the tool, respectively.
2. Install the batteries to the cleaner and the tool.
3. Set the stand-by switch on the cleaner to "AUTO".

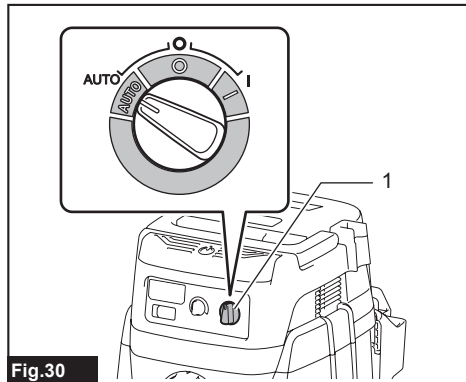


Fig.30

- 1. Stand-by switch

4. Press the wireless activation button on the cleaner for 6 seconds. The wireless activation lamp blinks in green and then become red. After that, press the wireless activation button on the tool in the same way.

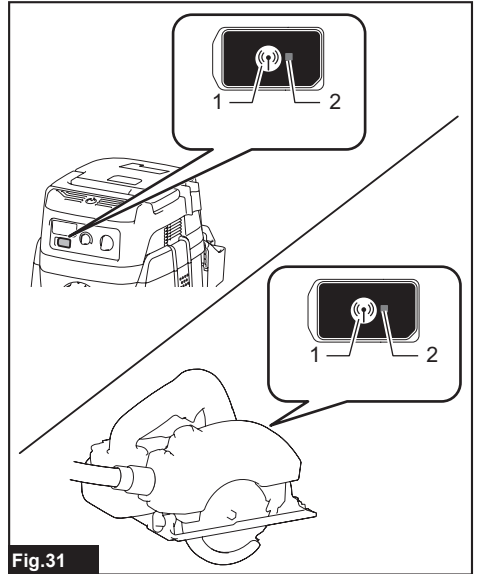


Fig.31

- 1. Wireless activation button 2. Wireless activation lamp

If the cancellation is performed successfully, the wireless activation lamps will light up in red for 2 seconds and start blinking in blue.

NOTE: The wireless activation lamps finish blinking in red after 20 seconds elapsed. Press the wireless activation button on the tool while the wireless activation lamp on the cleaner is blinking. If the wireless activation lamp does not blink in red, push the wireless activation button briefly and hold it down again.

Erasing all tool registrations

You can erase all tool registrations from the cleaner as follows.

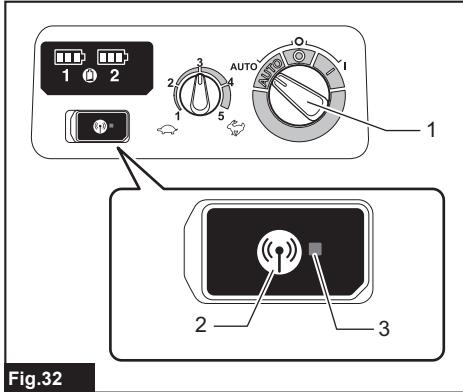


Fig.32

- ▶ 1. Stand-by switch
- 2. Wireless activation button
- 3. Wireless activation lamp

1. Install the wireless unit to the cleaner.
2. Install the batteries to the cleaner.
3. Set the stand-by switch to "AUTO".
4. Hold down the wireless activation button for about 6 seconds until the wireless activation lamp blinks in red (about twice per one second).
5. When the wireless activation lamp starts blinking in red, release your finger from the wireless activation button. Thereafter, hold down the wireless activation button again for about 6 seconds.
6. When the wireless activation lamp starts blinking fast (about 5 times per one second) in red, release your finger from the wireless activation button. When the wireless activation lamp lights up in red and later lights off, all tool registrations are erased.

NOTE: If the wireless activation lamp does not blink in red, press the wireless activation button briefly and try again.

Description of the wireless activation lamp status

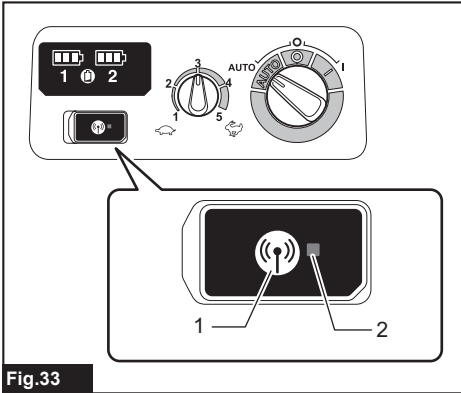


Fig.33

► 1. Wireless activation button 2. Wireless activation lamp

The wireless activation lamp shows the status of the wireless activation function. Refer to the below table for the meaning of the lamp status.

Status	Wireless activation lamp				Description
	Color	On	Blinking	Duration (approximate)	
Standby	Blue	<input checked="" type="checkbox"/>	<input type="checkbox"/>	Cleaner: continuing Tool: 2 hours	Waiting for the tool registration or the wireless activation function is available. The lamp on the cleaner blinks when the stand-by switch is set in AUTO. The lamp on the tool blinks when the wireless activation button is pushed. The lamp on the tool will automatically turn off when no operation is performed for 2 hours.
		<input type="checkbox"/>	<input type="checkbox"/>	When the tool is running.	The wireless activation of the cleaner is available and the tool is running.
Tool registration	Green	<input checked="" type="checkbox"/>	<input type="checkbox"/>	20 seconds	Ready for the tool registration. Searching the tool to be registered.
		<input type="checkbox"/>	<input type="checkbox"/>	2 seconds	The tool registration has been finished. The wireless activation lamp will start blinking in blue.
Cancelling/ erasing tool registration	Red	<input checked="" type="checkbox"/>	<input type="checkbox"/>	20 seconds	Ready for the cancellation of the tool registration. Searching the tool to be cancelled.
		<input checked="" type="checkbox"/>	<input type="checkbox"/>	When the wireless activation button is pressed down.	Ready to erase all tool registrations.
		<input type="checkbox"/>	<input type="checkbox"/>	2 seconds	The tool registration has been cancelled/erased. The wireless activation lamp will start blinking in blue.
Others	Red	<input type="checkbox"/>	<input type="checkbox"/>	3 seconds	The power is supplied to the wireless unit and the wireless activation function is starting up.
	Off	-	-	-	The stand-by switch is not set to "AUTO".

Troubleshooting for wireless activation function

Before asking for repairs, conduct your own inspection first. If you find a problem that is not explained in the manual, do not attempt to dismantle the tool. Instead, ask Makita Authorized Service Centers, always using Makita replacement parts for repairs.

State of abnormality	Probable cause (malfunction)	Remedy
The wireless activation lamp does not light/blink.	The wireless unit is not installed into the cleaner and/or the tool. The wireless unit is improperly installed into the cleaner and/or the tool.	Install the wireless unit correctly.
	The terminal of the wireless unit and/or the slot is dirty.	Gently wipe off dust and dirt on the terminal of the wireless unit and clean the slot of the cleaner and/or the tool.
	The wireless activation button on the tool has not been pushed.	Push the wireless activation button on the tool briefly.
	The stand-by switch on the cleaner is not set to "AUTO".	Set the stand-by switch on the cleaner to "AUTO".
	No power supply	Supply the power to the tool and the cleaner.
Cannot finish tool registration / cancelling tool registration successfully.	The wireless unit is not installed into the cleaner and/or the tool. The wireless unit is improperly installed into the cleaner and/or the tool.	Install the wireless unit correctly.
	The terminal of the wireless unit and/or the slot is dirty.	Gently wipe off dust and dirt on the terminal of the wireless unit and clean the slot of the cleaner and/or the tool.
	The stand-by switch on the cleaner is not set to "AUTO".	Set the stand-by switch on the cleaner to "AUTO".
	No power supply	Supply the power to the tool and the cleaner.
	Incorrect operation	Push the wireless activation button briefly and perform the tool registration/cancellation procedures again.
	The tool and cleaner are away from each other (out of the transmission range).	Get the tool and the cleaner closer to each other. The maximum transmission distance is approximately 10 m however it may vary according to the circumstances.
	Before finishing the tool registration/cancellation; - the switch of the tool is turned on or; - the power button on the cleaner is turned on.	Push the wireless activation button briefly and perform the tool registration/cancellation procedures again.
	The tool registration procedures for the tool or the cleaner has not finished.	Perform the tool registration procedures for the tool and the cleaner at the same timing.
	Radio disturbance by other appliances which generate high-intensity radio waves.	Keep the tool and the cleaner away from the appliances such as Wi-Fi devices and microwave ovens.
	The cleaner does not run along with the switch operation of the tool.	The wireless unit is not installed into the cleaner and/or the tool. The wireless unit is improperly installed into the cleaner and/or the tool.
The terminal of the wireless unit and/or the slot is dirty.		Gently wipe off dust and dirt on the terminal of the wireless unit and clean the slot of the cleaner and/or the tool.
The wireless activation button on the tool has not been pushed.		Push the wireless activation button briefly and make sure that the wireless activation lamp is blinking in blue.
The stand-by switch on the cleaner is not set to "AUTO".		Set the stand-by switch on the cleaner to "AUTO".
More than 10 tools are registered to the cleaner.		Perform the tool registration again. If more than 10 tools are registered to the cleaner, the tool registered earliest will be cancelled automatically.
The cleaner erased all tool registrations.		Perform the tool registration again.
No power supply		Supply the power to the tool and the cleaner.
The tool and cleaner are away from each other (out of the transmission range).		Get the tool and the cleaner closer to each other. The maximum transmission distance is approximately 10 m however it may vary according to the circumstances.
Radio disturbance by other appliances which generate high-intensity radio waves.		Keep the tool and the cleaner away from the appliances such as Wi-Fi devices and microwave ovens.
The cleaner runs while the tool is not operating.		Other users are using the wireless activation of the cleaner with their tools.

State of abnormality	Probable cause (malfunction)	Remedy
Cannot erase all tool registrations in the cleaner.	Pressing the wireless button on the tool.	Press the wireless button on the cleaner for erasing all tool registrations.
	The stand-by switch on the cleaner is not set to "AUTO".	Set the stand-by switch on the cleaner to "AUTO".
	The wireless activation button is not held down correctly.	Hold down the wireless activation button for more than 6 seconds and then release it when the wireless activation lamp blinks in red. Hold down the wireless activation button for more than 6 seconds again until the wireless activation button rapidly blinks in red and then release the button.

MAINTENANCE

CAUTION: Always be sure that the tool is switched off and the battery cartridge is removed before attempting to perform inspection or maintenance.

NOTICE: Never use gasoline, benzine, thinner, alcohol or the like. Discoloration, deformation or cracks may result.

To maintain product SAFETY and RELIABILITY, repairs, any other maintenance or adjustment should be performed by Makita Authorized or Factory Service Centers, always using Makita replacement parts.

Storage of accessories

The pipes can be placed into the pipe holder when not using the cleaner for a short time.

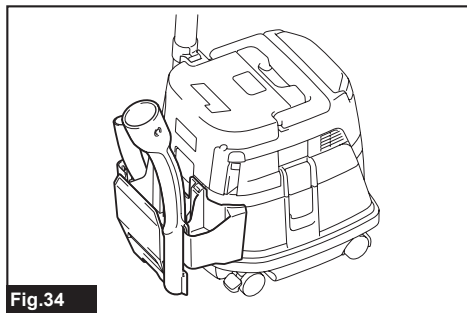


Fig.34

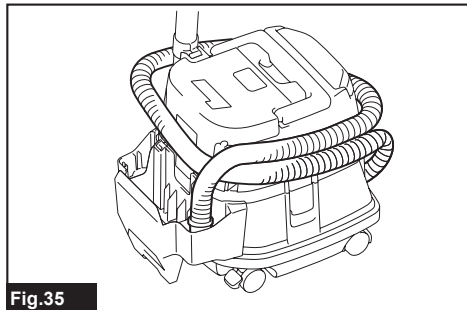


Fig.35

The hose can be stored around the tool by connecting each ends.

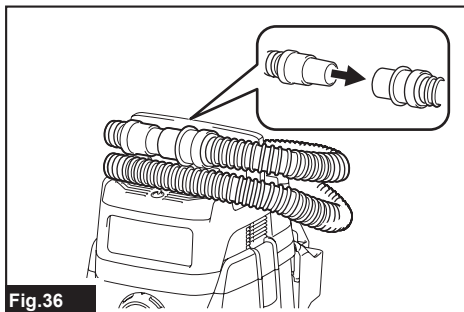


Fig.36

Cleaning of powder filter (HEPA) and prefilter

Clogged powder filter, prefilter and damper cause poor suction performance. Clean out the filters and damper from time to time.

To remove dust or particles adhering to the filters, shake the frame bottom quickly several times.

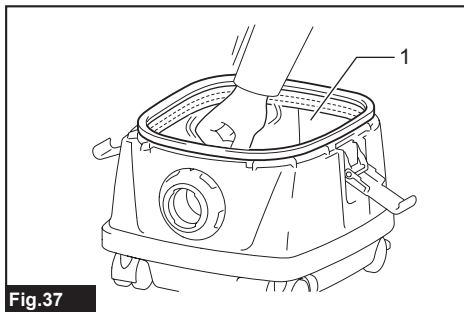


Fig.37

► 1. Prefilter

Occasionally wash the powder filter in water, rinse and dry thoroughly in the shade before use. Never wash filters in a washing machine.

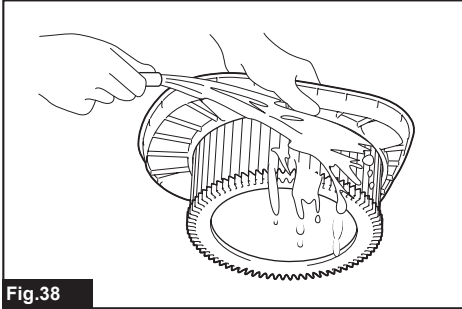


Fig.38

NOTE: Do not rub or scratch the powder filter, the prefilter and the damper with hard objects such as a brush and a paddle.

NOTE: The filters wear out in course of time. It is recommended to have some spares for them.

OPTIONAL ACCESSORIES

⚠ CAUTION: These accessories or attachments are recommended for use with your Makita tool specified in this manual. The use of any other accessories or attachments might present a risk of injury to persons. Only use accessory or attachment for its stated purpose.

If you need any assistance for more details regarding these accessories, ask your local Makita Service Center.

- Hose
- Front cuff (22, 24, 38)
- Straight pipe
- Extension wand
- Corner nozzle
- Round brush
- Powder filter, HEPA (for dry dust)
- Damper
- Prefilter
- Nozzle assembly
- Bent pipe
- Polyethylene bag
- Paper pack
- Holder set
- Makita genuine battery and charger

NOTE: Some items in the list may be included in the tool package as standard accessories. They may differ from country to country.

MAKITA LIMITED WARRANTY

Please refer to the annexed warranty sheet for the most current warranty terms applicable to this product. If annexed warranty sheet is not available, refer to the warranty details set forth at below website for your respective country.

United States of America: www.makitatools.com

Canada: www.makita.ca

Other countries: www.makita.com

SPÉCIFICATIONS

Modèle :	DVC867L	DVC157L
À filtre standard	Filtre pour poudres (pour les poussières sèches)	
Volume d'air maximum à l'extrémité du tuyau (BL1850B, avec un tuyau ø38 mm (1-1/2") x 2,5 m (98-1/2"))	2,4 m ³ /min (85 cu.ft/min)	
Volume d'air maximum à la turbine (avec BL1850B)	3,4 m ³ /min (120 cu.ft/min)	
Aspiration (avec BL1850B)	11 kPa	
Capacité de récupération	8 L (2,1 gal.)	15 L (4,0 gal.)
Dimensions (L x P x H)	366 mm x 334 mm x 368 mm (14-3/8" x 13-1/8" x 14-1/2")	366 mm x 334 mm x 421 mm (14-3/8" x 13-1/8" x 16-1/2")
Tension nominale	C.C. 36 V	
Poids net	7,7 - 8,4 kg (17,0 - 18,5 lbs)	8,0 - 8,6 kg (17,6 - 19,0 lbs)

- Étant donné l'évolution constante de notre programme de recherche et développement, les spécifications contenues dans ce manuel sont sujettes à modification sans préavis.
- Les spécifications et la batterie peuvent varier suivant les pays.
- Le poids ne comprend pas les accessoires autres que la/les batterie(s). Les combinaisons la plus légère et la plus lourde d'appareil et de batterie(s) sont indiquées dans le tableau.

Batteries et chargeurs applicables

Batterie	BL1815N / BL1820B / BL1830 / BL1830B / BL1840B / BL1850B / BL1860B
Chargeur	DC18RC / DC18RD / DC18RE / DC18SD / DC18SE / DC18SF / DC18SH

- Suivant la région où vous habitez, il se peut que certaines des batteries et certains des chargeurs énumérés ci-dessus ne soient pas disponibles.

⚠ MISE EN GARDE : Utilisez exclusivement les batteries et chargeurs énumérés ci-dessus. L'utilisation de toute autre batterie ou tout autre chargeur peut entraîner une blessure et/ou un incendie.

CONSIGNES DE SÉCURITÉ

IMPORTANTES CONSIGNES DE SÉCURITÉ

Lors de l'utilisation d'un appareil électrique, vous devez toujours prendre des précautions de base, dont les suivantes :

**CONSERVEZ CES
INSTRUCTIONS.**

MISE EN GARDE

Pour réduire les risques d'incendie, de décharge électrique et de blessure :

1. **Ne quittez pas l'appareil alors que la batterie y est insérée. Retirez la batterie de l'appareil lorsqu'il n'est pas utilisé et avant de le faire réparer.**
2. **Ne l'utilisez pas sur les surfaces mouillées. Ne l'exposez pas à la pluie. Rangez-le à l'intérieur.**
3. **Ne laissez pas les enfants l'utiliser comme jouet. Une attention particulière est nécessaire lors de l'utilisation par les enfants ou près d'eux.**
4. **Utilisez l'outil uniquement de la façon décrite dans ce manuel. Utilisez uniquement les accessoires recommandés par le fabricant.**

5. **Ne l'utilisez pas avec une batterie endommagée. Si l'appareil ne fonctionne pas bien, s'il a été échappé, endommagé, laissé à l'extérieur ou échappé dans l'eau, retournez-le à un centre de service après-vente.**
6. **Ne manipulez pas la batterie ou l'appareil avec les mains mouillées.**
7. **Ne mettez rien dans les ouvertures. N'utilisez jamais l'outil si une des ouvertures est bouchée ; gardez ces dernières exemptes de poussières, charpies, cheveux ou tout objet pouvant réduire la circulation de l'air.**
8. **Gardez les cheveux, les vêtements amples, les doigts et toute autre partie du corps à l'écart des ouvertures et des pièces en mouvement.**
9. **Mettez toutes les commandes hors tension avant de retirer la batterie.**
10. **Soyez tout particulièrement prudent lorsque vous nettoyez sur les marches d'un escalier.**
11. **Ne l'utilisez pas pour aspirer des liquides inflammables ou combustibles tels que l'essence, ou dans des zones où de tels liquides peuvent être présents.**
12. **Utilisez uniquement le chargeur fourni par le fabricant pour recharger la batterie.**
13. **N'aspirez pas d'objets qui brûlent ou dégagent de la fumée, tels que des cigarettes, des allumettes ou des cendres encore chaudes.**
14. **Assurez-vous toujours que les filtres sont correctement installés avant l'utilisation. N'utilisez pas l'aspirateur sans les filtres. Remplacez immédiatement tout filtre endommagé. Il est recommandé de disposer de filtres de rechange, car il s'agit d'articles consommables.**
15. **Ne chargez pas la batterie à l'extérieur.**
16. **N'utilisez pas l'aspirateur en tant que tabouret ou établi. La machine risquerait de tomber et d'entraîner une blessure.**
17. **Ne collectez pas la mousse ou le liquide savonneux. Cela pourrait faire en sorte que la mousse sorte de la sortie d'air, ce qui entraînera une décharge électrique et des dommages à l'aspirateur.**
18. **N'utilisez pas l'appareil pour aspirer les matières suivantes :**
 - **Liquides inflammables (kérosène, essence, solvants tels que benzine, diluant, etc.)**
 - **Substances chaudes qui brûlent ou dégagent de la fumée (cigarettes, allumettes, bâtons d'encens, chandelles, cendres chaudes), étincelles et poussières métalliques générées par la coupe ou le meulage du métal, etc.**
 - **Matières inflammables (encre en poudre, peinture, substance vaporisée, etc.)**
 - **Mousses telle qu'agent de nettoyage pour tapis, etc. (elles peuvent causer une explosion ou un incendie)**
 - **Substances explosives ou pyrophoriques (nitroglycérine, aluminium, magnésium, titane, zinc, phosphore rouge, phosphore jaune, celluloïd, etc., et leurs poussières, gaz ou vapeurs)**
 - **Objets tranchants (verre, coutellerie, éclat de bois, métal, pierre, clou, rasoir, punaise, etc.)**
 - **Poudre fine solidifiante et conductrice (poudre de métal ou de carbone)**
 - **Déshydrateur**
 - **Grande quantité de poudre (farine, poudre d'extincteur, etc.)**
 - **Substances qui causent des symptômes d'intoxication**
 - **Produits chimiques corrosifs (acide, lixiviat, etc.)**
 - **Déchets liquides ou humides, y compris vomis et excréments**
 - **Amiante**
 - **Pesticides**

Ces applications peuvent causer un incendie, une blessure et/ou des dommages matériels. Pour réduire le risque d'exposition à ces produits chimiques, portez toujours des dispositifs de protection respiratoire approuvés, tels que des masques antipoussières spécialement conçus pour filtrer les particules microscopiques. Dirigez l'air évacué loin de votre visage et de votre corps. NOTE : Lisez la réglementation OSHA sur la poussière de silice pour comprendre les exigences nécessaires pour réduire l'exposition à la poussière de silice sur le lieu de travail. Des règles spécifiques s'appliquent aux matériaux de perçage, de coupe de démolition et de meulage qui contiennent de la silice. Toutes les exigences de l'OSHA concernant la réduction de la poussière de silice sont disponibles sur le site web de l'OSHA : www.osha.gov.

Utilisation et entretien des outils alimentés par batterie



1. Évitez les démarrages accidentels. Assurez-vous que l'interrupteur est sur la position d'arrêt avant de connecter la batterie, de ramasser l'appareil ou de le transporter. Transporter l'appareil avec le doigt sur l'interrupteur, ou mettre l'appareil sous tension avec l'interrupteur en position de marche ouvre la porte aux accidents.
2. Déconnectez la batterie de l'appareil avant d'effectuer tout réglage, de remplacer les accessoires ou de ranger l'appareil. De telles mesures de prévention réduisent le risque de démarrage accidentel de l'appareil.
3. Pour recharger, utilisez uniquement le chargeur spécifié par le fabricant. L'utilisation d'un chargeur conçu pour un type donné de bloc-piles comporte un risque d'incendie lorsqu'il est utilisé avec un autre type de bloc-piles.
4. Utilisez les appareils uniquement avec les batteries spécifiquement désignées. L'utilisation de tout autre bloc-piles peut entraîner un risque de blessure et d'incendie.
5. Lorsque vous n'utilisez pas le bloc-piles, rangez-le à l'écart des objets métalliques tels que trombones, pièces de monnaie, clés, clous, vis ou autres petits objets métalliques qui risqueraient d'établir une connexion entre les bornes. La mise en court-circuit des bornes de batterie peut causer des brûlures ou un incendie.
6. Dans des conditions d'utilisation inadéquates de la batterie, il peut y avoir fuite d'électrolyte; évitez tout contact avec ce liquide. En cas de contact accidentel, rincez avec beaucoup d'eau. Si le liquide pénètre dans vos yeux, il faut aussi consulter un médecin. L'électrolyte qui s'échappe de la batterie peut causer des irritations ou des brûlures.
7. N'utilisez pas une batterie ou un appareil endommagé ou modifié. Les batteries endommagées ou modifiées peuvent se comporter de manière imprévisible et entraîner un incendie, une explosion ou un risque de blessure.
8. N'exposez pas une batterie ou un appareil au feu ou à une température excessive. L'exposition au feu ou à une température supérieure à 130 °C peut provoquer une explosion.
9. Respectez toutes les instructions de charge, et ne chargez pas la batterie ou l'appareil hors de la plage de température spécifiée dans les instructions. Charger de manière inadéquate ou à des températures hors de la plage spécifiée peut endommager la batterie et fait augmenter le risque d'incendie.
10. Confiez l'entretien à un réparateur qualifié et n'utilisant que des pièces de rechange identiques aux pièces d'origine. Cela assurera le maintien du produit dans un état sécuritaire.
11. Ne modifiez pas ou n'essayez pas de réparer l'appareil ou la batterie autrement que tel qu'indiqué dans les instructions d'utilisation et d'entretien.

CONSERVEZ CES INSTRUCTIONS.

Cet appareil est conçu pour un usage commercial.

Symboles

Les symboles utilisés pour l'outil sont indiqués ci-dessous.

v	volts
⋯	courant continu
	Soyez tout particulièrement prudent et attentif.
	Ne montez jamais sur l'aspirateur.

Consignes de sécurité importantes pour la batterie

- Avant d'utiliser la batterie, lisez toutes les instructions et les mises en garde apposées sur (1) le chargeur de batterie, (2) la batterie et (3) le produit utilisant la batterie.**
- Ne démontez pas et ne modifiez pas la batterie.** Cela peut entraîner un incendie, une chaleur excessive ou une explosion.
- Cessez immédiatement l'utilisation si le temps de fonctionnement devient excessivement court.** Il y a risque de surchauffe, de brûlures, voire d'explosion.
- Si l'électrolyte pénètre dans vos yeux, rincez-les à l'eau claire et consultez immédiatement un médecin.** Il y a risque de perte de la vue.
- Ne court-circuitez pas la batterie :**
 - Ne touchez les bornes avec aucun matériau conducteur.**
 - Évitez de ranger la batterie dans un conteneur avec d'autres objets métalliques tels que clous, pièces de monnaie, etc.**
 - Évitez d'exposer la batterie à l'eau ou à la pluie.****Un court-circuit de la batterie pourrait provoquer un fort courant, une surchauffe, parfois des brûlures et même une panne.**
- Ne rangez pas et n'utilisez pas l'outil ou la batterie dans des emplacements où la température peut atteindre ou dépasser 50 °C (122 °F).**
- Ne jetez pas la batterie au feu même si elle est sérieusement endommagée ou complètement épuisée.** La batterie peut exploser au contact du feu.
- Évitez de clouer, de couper, d'écraser, de lancer ou d'échapper la batterie, ou de heurter un objet dur contre la batterie.** Cela peut entraîner un incendie, une chaleur excessive ou une explosion.
- N'utilisez pas une batterie si elle est endommagée.**
- Les batteries lithium-ion fournies sont soumises aux exigences de la législation sur les marchandises dangereuses.**

Des exigences particulières sur l'emballage et l'étiquetage doivent être respectées lors du transport commercial par des tiers, des transitaires, etc.

Pour préparer la marchandise à expédier, consultez un expert en matériaux dangereux si nécessaire. Respectez aussi les éventuelles réglementations nationales plus détaillées.
- Recouvrez de ruban isolant les contacts exposés, et emballez la batterie de sorte qu'elle ne puisse pas se déplacer à l'intérieur de l'emballage.**
- Lors de l'élimination de la batterie, retirez-la de l'outil et éliminez-la dans un endroit sûr.** Respectez la réglementation locale concernant l'élimination de la batterie.
- N'utilisez les batteries qu'avec les produits spécifiés par Makita.** Installer les batteries sur des produits non conformes peut entraîner un incendie, une chaleur excessive, une explosion ou une fuite d'électrolyte.
- Suivez la réglementation locale concernant l'élimination de la batterie.**

14. **Pendant et après l'utilisation, la batterie peut accumuler de la chaleur, ce qui peut causer des brûlures ou des brûlures à basse température. Faites attention lors de la manipulation des batteries chaudes.**
15. **Ne touchez pas la borne de l'outil immédiatement après l'utilisation, car elle peut être assez chaude pour causer des brûlures.**
16. **Ne laissez pas les copeaux, les poussières ou la terre se coincer dans les bornes, les trous et les rainures de la batterie.** Cela pourrait causer un réchauffement, un incendie, un éclatement et une défaillance de l'outil ou de la batterie et entraîner des brûlures ou des blessures corporelles.
17. **À moins que l'outil ne soit compatible avec l'utilisation à proximité des lignes électriques haute tension, n'utilisez pas la batterie à proximité d'une ligne électrique haute tension.** Cela peut entraîner un dysfonctionnement ou une panne de l'outil ou de la batterie.
18. **Gardez la batterie à l'écart des enfants.**

CONSERVEZ CE MODE D'EMPLOI.

⚠ATTENTION : Utilisez exclusivement les batteries fabriquées par Makita. Les batteries autres que celles fabriquées par Makita ou les batteries modifiées peuvent exploser et causer un incendie, une blessure ou des dommages. Cela annule aussi la garantie Makita de l'outil et du chargeur Makita.

Conseils pour maintenir la durée de service maximale de la batterie

1. Rechargez la batterie avant qu'elle ne soit complètement déchargée. Arrêtez toujours l'outil et rechargez la batterie quand vous remarquez que la puissance de l'outil diminue.
2. Ne rechargez jamais une batterie complètement chargée. La surcharge réduit la durée de service de la batterie.
3. Chargez la batterie à une température ambiante comprise entre 10 °C et 40 °C (50 °F et 104 °F). Si la batterie est chaude, laissez-la refroidir avant de la charger.
4. Lorsque vous n'utilisez pas la batterie, retirez-la de l'outil ou du chargeur.
5. Chargez la batterie si elle est restée inutilisée pendant une période prolongée (plus de six mois).

Importantes consignes de sécurité pour l'unité sans fil

1. Évitez de démonter ou de modifier l'unité sans fil.
2. Gardez l'unité sans fil hors de la portée des jeunes enfants. En cas d'absorption accidentelle, consultez immédiatement un médecin.
3. N'utilisez l'unité sans fil qu'avec les outils Makita.
4. N'exposez pas l'unité sans fil à la pluie ou à des surfaces mouillées.
5. N'utilisez pas l'unité sans fil dans les emplacements où la température dépasse 50 °C (122 °F).
6. N'utilisez pas l'unité sans fil dans les emplacements où des instruments médicaux, tels que stimulateurs cardiaques, se trouvent à proximité.
7. N'utilisez pas l'unité sans fil dans les emplacements où des dispositifs automatiques se trouvent à proximité. L'utilisation peut provoquer des dysfonctionnements ou des erreurs sur les dispositifs automatiques.
8. N'utilisez pas l'unité sans fil dans un emplacement à température élevée ou un emplacement où de l'électricité statique ou du bruit électrique peuvent être générés.
9. L'unité sans fil peut générer des champs électromagnétiques (CEM), mais ils sont sans danger pour l'utilisateur.
10. L'unité sans fil est un instrument de précision. Évitez d'échapper ou de heurter l'unité sans fil.
11. Évitez de toucher la borne de l'unité sans fil à mains nues ou avec des objets métalliques.
12. Retirez toujours la batterie de l'outil avant d'y installer l'unité sans fil.
13. Lorsque vous ouvrez le couvercle de la fente, évitez de le faire dans un emplacement où la poussière et l'eau peuvent pénétrer dans la fente. Gardez toujours l'entrée de la fente propre.
14. Insérez toujours l'unité sans fil dans le bon sens.
15. N'appuyez pas trop fort sur le bouton d'activation sans fil de l'unité sans fil, et/ou n'appuyez pas sur le bouton avec un objet tranchant.
16. Pendant l'utilisation, fermez toujours le couvercle de la fente.
17. Ne retirez pas l'unité sans fil de la fente pendant que l'outil est alimenté en courant. Cela peut causer un dysfonctionnement de l'unité sans fil.
18. Ne retirez pas l'autocollant sur l'unité sans fil.
19. Ne mettez aucun autocollant sur l'unité sans fil.
20. Ne laissez pas l'unité sans fil dans un emplacement où de l'électricité statique ou du bruit électrique peuvent être générés.
21. Ne laissez pas l'unité sans fil dans un emplacement susceptible de chaleur intense, comme dans une voiture exposée au soleil.

22. Ne laissez pas l'unité sans fil dans un emplacement poussiéreux ou poudreux, ni dans un emplacement où des gaz corrosifs peuvent être générés.
23. Les variations soudaines de température peuvent humecter l'unité sans fil. N'utilisez l'unité sans fil qu'une fois qu'elle est bien sèche.
24. Pour nettoyer l'unité sans fil, essuyez-la doucement avec un linge doux et sec. N'utilisez pas de benzine, diluant, graisse conductrice ou produit similaire.
25. Lorsque vous rangez l'unité sans fil, gardez-la dans le boîtier fourni ou dans un contenant antistatique.
26. N'insérez aucun autre dispositif que l'unité sans fil Makita dans la fente de l'outil.
27. N'utilisez pas l'outil si le couvercle de la fente est endommagé. La pénétration d'eau, de poussières ou de saletés dans la fente peut entraîner un dysfonctionnement.
28. Évitez de tirer et/ou tordre le couvercle de la fente plus que nécessaire. Remettez le couvercle en place s'il se détache de l'outil.
29. Remplacez le couvercle de la fente si vous l'égarez ou s'il est endommagé.

CONSERVEZ CE MODE D'EMPLOI.

DESCRIPTION DES PIÈCES

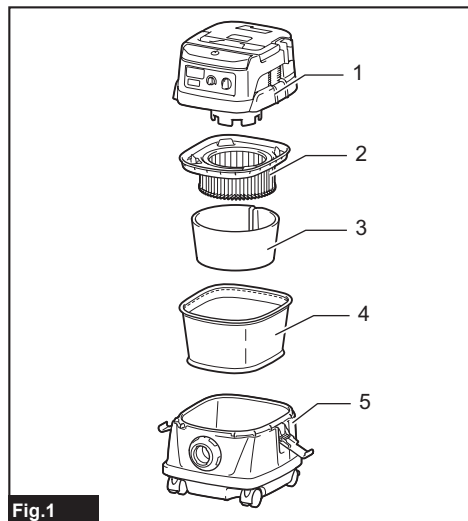


Fig.1

- 1. Couvercle de réservoir 2. Filtre pour poussières (HEPA) 3. Amortisseur 4. Préfiltre 5. Réservoir

DESCRIPTION DU FONCTIONNEMENT

⚠ ATTENTION : Assurez-vous toujours que l'outil est éteint et que sa batterie est retirée avant de l'ajuster ou de vérifier son fonctionnement.

Installation ou retrait de la batterie

⚠ ATTENTION : Éteignez toujours l'outil avant d'installer ou de retirer la batterie.

⚠ ATTENTION : Tenez fermement l'aspirateur et la batterie lors de l'installation ou du retrait de cette dernière. Sinon, l'aspirateur et la batterie pourraient vous glisser des mains, ce qui risque d'endommager l'aspirateur et la batterie, ou encore de provoquer des blessures.

⚠ ATTENTION : Prenez garde de vous pincer les doigts en ouvrant ou fermant le couvercle de batterie. Autrement, il y a risque de blessure.

Pour installer la batterie, libérez d'abord le verrou, puis ouvrez le couvercle de batterie. Insérez ensuite la batterie.

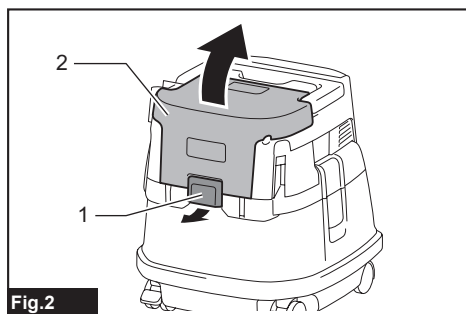


Fig.2

- 1. Verrou 2. Couvercle de batterie

Alignez la languette de la batterie sur la rainure du boîtier et glissez la batterie en place. Insérez-la à fond, jusqu'à ce qu'elle se verrouille en place avec un léger bruit sec. Verrouillez ensuite le couvercle de batterie.

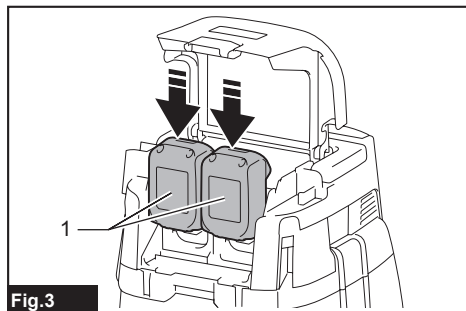


Fig.3

- 1. Batterie

Pour retirer la batterie, faites-la glisser de l'outil tout en faisant glisser le bouton qui se trouve à l'avant de la batterie.

⚠ ATTENTION : Installez toujours la batterie à fond, jusqu'à ce que l'indicateur rouge ne soit plus visible. Autrement elle risque de tomber accidentellement de l'aspirateur, ce qui comporte un risque de blessure pour vous-même et pour les personnes présentes.

⚠ ATTENTION : Ne forcez pas sur la batterie pour l'installer. Si la batterie ne glisse pas facilement, c'est qu'elle n'est pas insérée correctement.

NOTE : L'aspirateur ne fonctionne pas lorsqu'il n'y a qu'une seule batterie.

Affichage de la charge restante de la batterie

Uniquement pour les batteries avec voyant

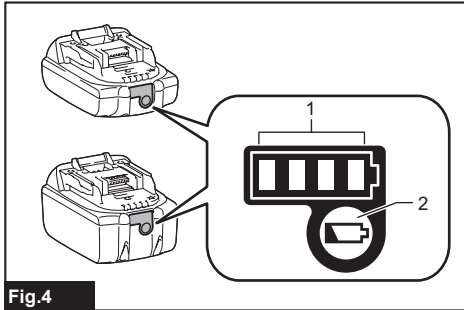


Fig.4

► 1. Témoins indicateurs 2. Bouton de vérification

Appuyez sur le bouton de vérification de la batterie pour afficher la charge restante de la batterie. Les témoins indicateurs s'allument pendant quelques secondes.

Témoins indicateurs			Charge restante
Allumé	Éteint	Clignotant	
■	□	◐	75 % à 100 %
■	■	□	50 % à 75 %
■	■	□	25 % à 50 %
■	□	□	0 % à 25 %
◐	□	□	Chargez la batterie.
■	■	□	La batterie a peut-être mal fonctionné.
□	□	■	

NOTE : Suivant les conditions d'utilisation et la température ambiante, il se peut que l'indication soit légèrement différente de la charge réelle.

NOTE : La première lampe témoin (à l'extrémité gauche) clignote lorsque le dispositif de protection de la batterie s'active.

Indication de la charge restante de la batterie

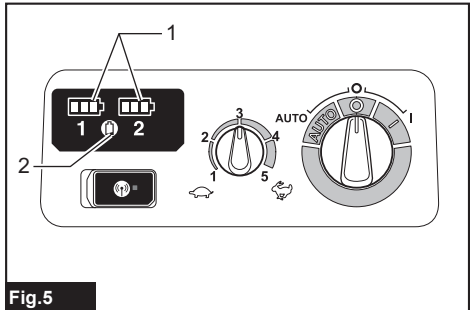


Fig.5

► 1. Voyant de batterie 2. Bouton de vérification

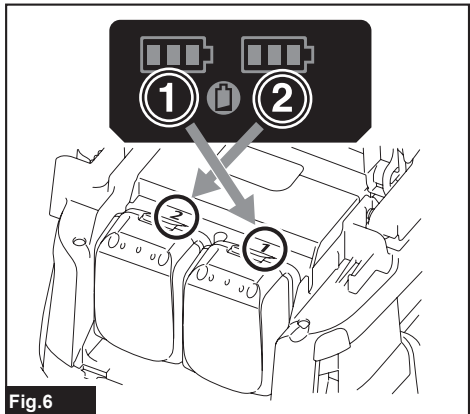


Fig.6

Appuyez sur le bouton de vérification pour afficher la charge restante des batteries. Les voyants de batterie correspondent à chacune des batteries.

État du voyant de batterie			Capacité restante de la batterie
Allumé	Éteint	Clignotant	
■	□	◐	50 % à 100 %
■	■	□	20 % à 50 %
■	□	□	0 % à 20 %
◐	□	□	Charger la batterie

NOTE : Le voyant de batterie ne fonctionne pas lorsque l'aspirateur est mis en marche avec l'interrupteur de mise sous tension sur « AUTO ».

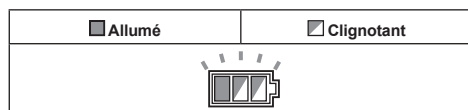
Dispositif de protection de l'outil et de la batterie

L'outil est équipé d'un système de protection d'outil/batterie. Ce système coupe automatiquement l'alimentation du moteur pour augmenter la durée de vie de l'outil et de la batterie. L'outil s'arrête automatiquement pendant l'utilisation lorsque l'outil ou la batterie est dans l'une des situations suivantes :

Protection contre la surcharge

Lorsque l'outil est utilisé d'une manière entraînant une consommation anormale de courant, il s'arrête automatiquement sans aucune indication. Dans ce cas, éteignez l'outil et arrêtez l'activité qui entraîne une surcharge de l'outil. Remettez ensuite le contact pour redémarrer.

Protection contre la surchauffe



Lorsque l'outil surchauffe, il s'arrête automatiquement et le voyant de batterie clignote pendant environ 60 secondes. Dans ce cas, laissez refroidir l'outil avant de remettre le contact.

Protection contre la décharge excessive

Lorsque la charge de la batterie est basse, l'outil s'arrête automatiquement. Si l'appareil ne fonctionne pas même lorsque vous activez les interrupteurs, retirez les batteries de l'outil et rechargez-les.

Interrupteur

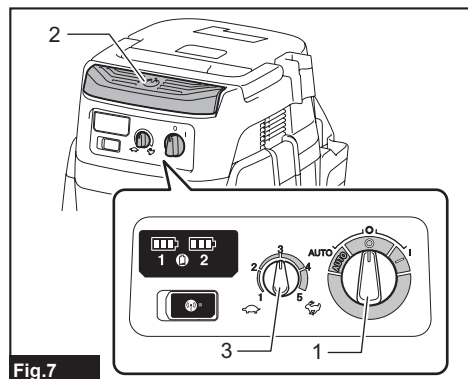




Fig.7
▶ 1. Interrupteur de mise sous tension 2. Bouton d'alimentation 3. Bouton de réglage de la force de succion

Pour démarrer l'aspirateur :

1. Mettez l'interrupteur de mise sous tension du côté « I ». L'aspirateur se met sous tension.
2. Appuyez sur le bouton d'alimentation. Pour mettre l'aspirateur en mode sous tension, appuyez de nouveau sur le bouton d'alimentation. Pour éteindre l'aspirateur, mettez l'interrupteur de mise sous tension du côté « O ».

La puissance de succion peut être ajustée selon les exigences du travail à effectuer.

La puissance de succion peut être augmentée en tournant le bouton de réglage de la force de succion du symbole  au symbole .

AVIS : Lorsque vous prévoyez une longue période de non-utilisation de l'aspirateur, mettez toujours l'interrupteur de mise sous tension du côté « O ». L'aspirateur consomme de l'électricité lorsqu'il est sous tension.

Verrouillage ou déverrouillage de la roulette

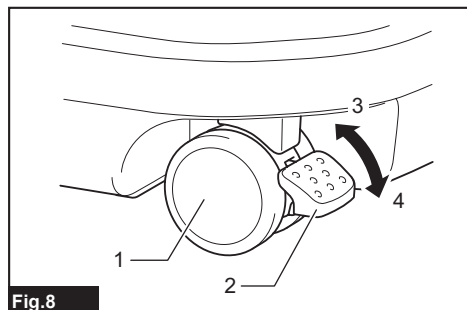


Fig.8

- ▶ 1. Roulette 2. Levier de frein 3. Position LIBRE
4. Position VERROUILLÉE

Le verrouillage de la roulette est pratique lors du rangement de l'aspirateur, de l'interruption du travail en cours et de l'immobilisation de l'aspirateur.

Pour utiliser le frein, déplacez-le manuellement.

Pour verrouiller la roulette à l'aide du frein, abaissez le levier de frein de sorte que la roulette ne tourne plus.

Pour libérer la roulette de la position verrouillée, relevez le levier de frein.

NOTE : Lorsque vous déplacez l'aspirateur, assurez-vous que la roulette est déverrouillée. Déplacer l'aspirateur avec la roulette en position verrouillée peut endommager la roulette.

Poignée de transport

Lorsque vous transportez l'aspirateur, saisissez-le par la poignée du dessus. La poignée peut être escamotée sur le dessus lorsqu'elle n'est pas utilisée.

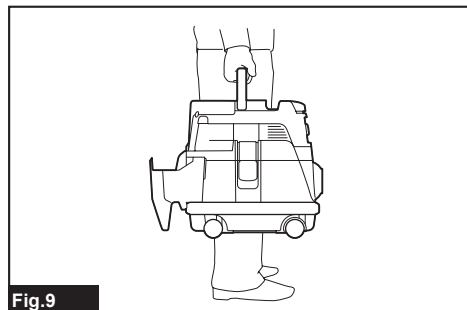


Fig.9

ASSEMBLAGE

⚠ ATTENTION : Assurez-vous toujours que l'outil est éteint et que sa batterie est retirée avant d'effectuer tout travail dessus.

⚠ ATTENTION : Portez toujours un masque antipoussières pendant l'assemblage ou l'entretien.

Pose du filtre pour poudres (HEPA) et du préfiltre (pour poussières sèches)

⚠ ATTENTION : N'aspirez jamais d'eau ou autres liquides ou de poussières mouillées lors de l'utilisation du filtre pour poudres. L'aspiration de telles choses peut endommager le filtre pour poudres.

Pour utiliser le filtre pour poudres :

1. Mettez le préfiltre dans le réservoir en alignant les marques de position de montage.
2. Montez l'amortisseur sur le filtre pour poudres puis mettez-les dans le préfiltre en alignant les marques de position de montage.
3. Montez le couvercle de réservoir et verrouillez-le.

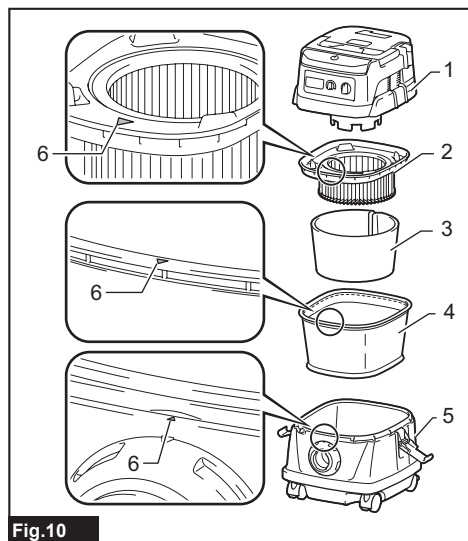


Fig.10

- 1. Couvercle de réservoir 2. Filtre pour poudres (HEPA) 3. Amortisseur 4. Préfiltre 5. Réservoir 6. Marque de position de montage

AVIS : Avant d'utiliser le filtre pour poudres, assurez-vous que le préfiltre et l'amortisseur sont toujours utilisés ensemble. Il n'est pas permis d'installer seulement le filtre pour poudres.

Pose du sac papier

Accessoire en option

⚠ MISE EN GARDE : Lorsque vous utilisez le sac papier, utilisez également le préfiltre préinstallé sur l'outil. Ne pas utiliser également le préfiltre peut causer un bruit inhabituel et de la chaleur, entraînant un incendie.

⚠ ATTENTION : Avant d'utiliser le sac papier, assurez-vous que le filtre pour poudres, l'amortisseur et le préfiltre sont toujours utilisés ensemble.

1. Déployez le sac papier.
2. Alignez l'ouverture du sac papier sur l'ouverture de succion des poussières de l'aspirateur.
3. Insérez le carton du sac papier dans le support de sorte qu'il soit placé à l'extrémité au-delà de la saillie de détente.

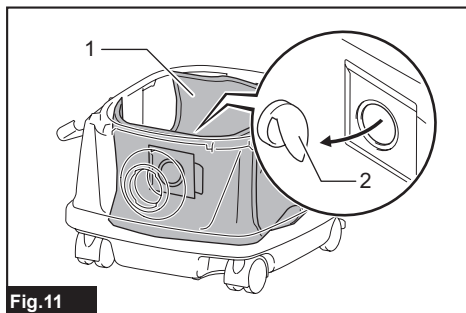


Fig.11

- 1. Sac papier 2. Support

Pose du sac en polyéthylène

L'aspirateur peut également être utilisé sans sac en polyéthylène. Cependant, en utilisant le sac en polyéthylène il est plus facile de vider le réservoir sans se salir les mains.

Étendez le sac en polyéthylène dans le réservoir. Insérez-le entre la plaque de support et le réservoir, et tirez-le jusqu'à l'entrée de tuyau.

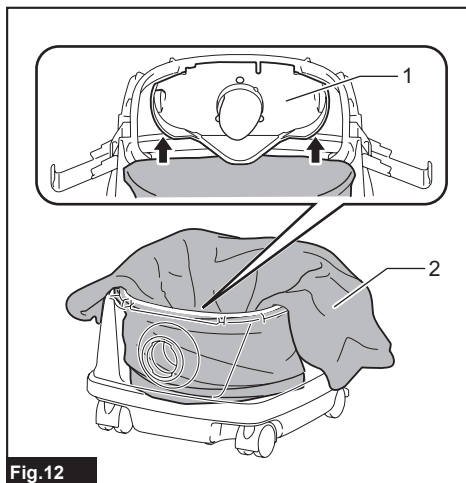


Fig.12

- 1. Plaque de support 2. Sac en polyéthylène

Étendez le sac autour du dessus du réservoir, de sorte que le bord du préfiltre puisse attraper et retenir le sac fermement.

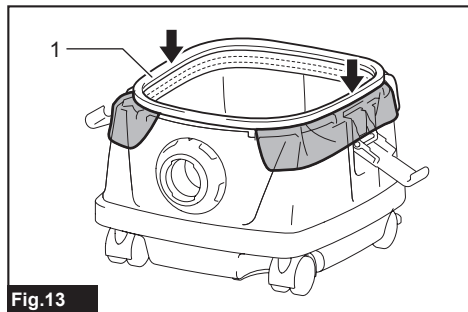


Fig.13

► 1. Préfiltre

NOTE : Il est possible d'utiliser un sac en polyéthylène disponible dans le commerce. Une épaisseur de 0,04 mm ou plus est recommandée.

NOTE : Comme le sac se déchirera facilement s'il y a trop de poussières, ne collectez pas de poussières plus qu'à la moitié de la capacité du sac.

Vidage du sac en polyéthylène

⚠ MISE EN GARDE : Avant de vider le sac en polyéthylène, assurez-vous toujours que l'aspirateur est éteint et que la batterie est retirée. Autrement, il y a un risque de décharge électrique et de blessure grave.

⚠ ATTENTION : Évitez de heurter violemment le réservoir. Heurter violemment les pièces peut les déformer et les endommager.

⚠ ATTENTION : Videz le réservoir au moins une fois par jour, bien que cela dépende du volume de matières collectées dans le réservoir. Autrement, la force de succion faiblira et le moteur risque de tomber en panne.

⚠ ATTENTION : Ne saisissez pas le crochet lorsque vous videz le réservoir. Le crochet risque de casser s'il est saisi.

Décrochez et soulevez le couvercle de réservoir. Secouez les poussières du préfiltre, puis sortez le sac en polyéthylène du réservoir.

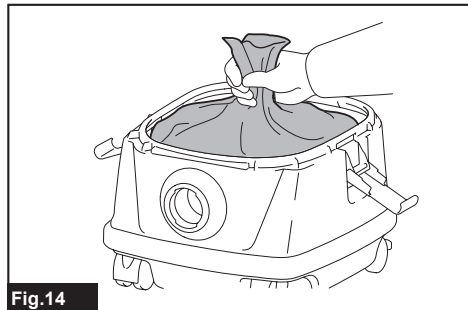


Fig.14

NOTE : Retirez soigneusement le sac en polyéthylène du réservoir, de sorte que le sac en polyéthylène ne puisse être attrapé et déchiré par la saillie à l'intérieur du réservoir pendant que vous le videz.

NOTE : Videz le sac en polyéthylène avant qu'il ne soit plein. Le sac en polyéthylène risque d'être déchiré s'il y a trop de poussières dans le réservoir.

Pose de la boîte à outils

1. Libérez le verrou du couvercle de batterie, et ouvrez le couvercle de batterie.
2. Mettez les rails de la boîte à outils le long des rainures du boîtier.
3. Fermez le couvercle de batterie et engagez le verrou.

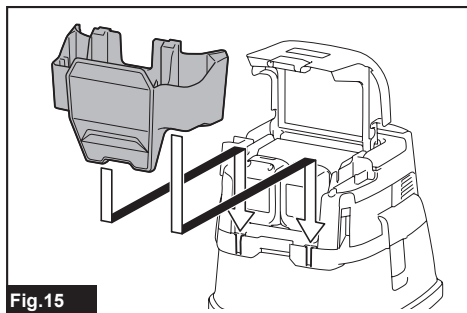


Fig.15

La boîte à outils est pratique pour transporter des batteries, un tube ou des manchons.

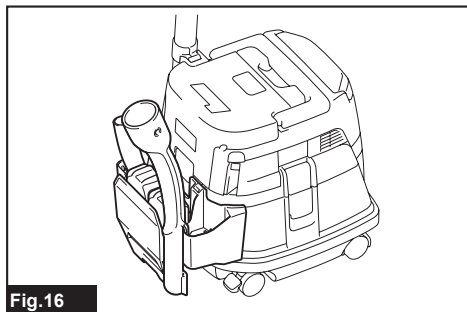


Fig.16

Raccordement du tuyau

AVIS : Ne forcez jamais le tuyau pour le plier, et ne le piétinez jamais. Ne déplacez jamais l'aspirateur en le saisissant par le tuyau. Forcer, piétiner ou tirer sur le tuyau peut le casser ou l'endommager.

AVIS : Lorsque vous collectez des copeaux de rabotage, poussières de béton ou autres gros déchets, utilisez le tuyau à diamètre intérieur de 38 mm (accessoire en option). L'utilisation du tuyau à diamètre intérieur de 28 mm (accessoire en option) peut causer le bourrage et l'endommagement du tuyau.

Insérez le tuyau dans le port de montage du réservoir et tournez-le dans le sens des aiguilles d'une montre jusqu'à ce qu'il se verrouille.

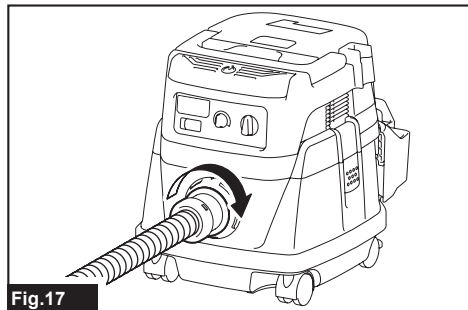


Fig.17

Raccordement de l'accessoire avec fonction de verrouillage

Accessoire en option

Insérez l'accessoire dans l'entrée d'aspiration jusqu'à ce qu'il émette un léger bruit sec.

Pour le retirer, tirez sur l'accessoire tout en appuyant sur le bouton de libération.

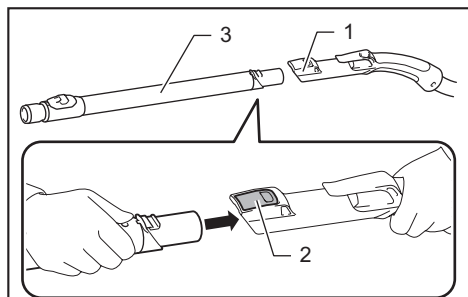


Fig.18

► 1. Entrée d'aspiration avec fonction de verrouillage 2. Bouton de libération 3. Accessoire avec fonction de verrouillage

NOTE : L'accessoire avec fonction de verrouillage est disponible lors de l'utilisation de l'entrée d'aspiration avec fonction de verrouillage.

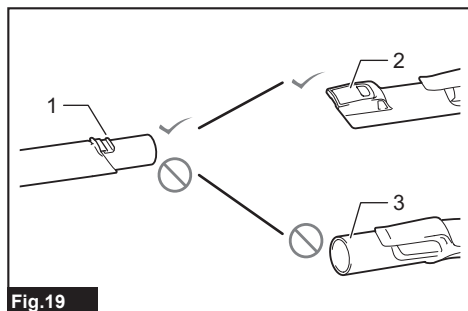


Fig.19

► 1. Accessoire avec fonction de verrouillage
2. Entrée d'aspiration avec fonction de verrouillage
3. Entrée d'aspiration sans fonction de verrouillage

Réglage de la longueur du tube de rallonge coulissant

Accessoire en option

En appuyant sur le bouton coulissant, ajustez la longueur de la rallonge. La longueur se verrouille lors de la libération du bouton coulissant.

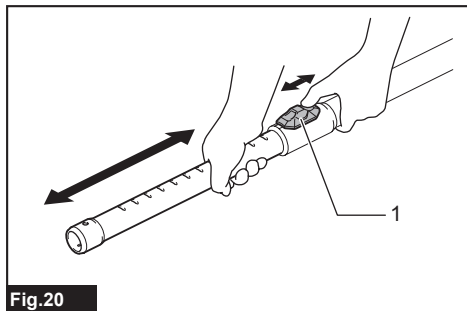


Fig.20

► 1. Bouton coulissant

FONCTION D'ACTIVATION SANS FIL

Ce que vous pouvez faire avec la fonction d'activation sans fil

La fonction d'activation sans fil permet une utilisation propre et confortable. En raccordant un outil compatible à l'aspirateur, vous pouvez activer l'aspirateur automatiquement lorsque vous utilisez l'interrupteur de l'outil.

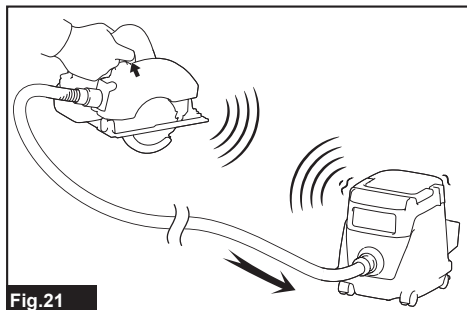


Fig.21

AVIS : Veillez à vous reporter au manuel d'instructions de l'outil lorsque vous utilisez l'aspirateur avec la fonction d'activation sans fil.

AVIS : Évitez de démonter ou de modifier l'unité sans fil.

AVIS : Pour éviter que les poussières ne pénètrent dans la fente de l'unité sans fil, fermez toujours fermement le couvercle pendant l'utilisation et le rangement.

AVIS : Ne retirez pas l'unité sans fil pendant qu'elle est alimentée en courant. Cela peut causer un dysfonctionnement de l'unité sans fil.

AVIS : N'appuyez pas trop fort sur le bouton d'activation sans fil, et/ou n'appuyez pas sur le bouton avec un objet tranchant.

NOTE : L'activation sans fil n'est possible qu'avec les outils Makita dotés d'une unité sans fil.

NOTE : L'enregistrement d'outil est nécessaire avant la première utilisation de la fonction d'activation sans fil avec chaque outil. Une fois l'enregistrement d'un outil terminé, son réenregistrement n'est nécessaire que s'il a été annulé.

NOTE : Avant l'enregistrement, assurez-vous que l'unité sans fil est bien insérée.

NOTE : Une unité sans fil peut enregistrer jusqu'à 10 liaisons à d'autres unités sans fil. Si plus de 10 autres unités sans fil sont enregistrées sur une unité sans fil, celle enregistrée le plus tôt sera automatiquement annulée.

NOTE : La position du bouton d'activation sans fil varie suivant l'outil.

NOTE : L'aspirateur démarre également lors de la pression sur le bouton d'alimentation lorsque l'interrupteur de mise sous tension est sur « AUTO ». Le bouton d'alimentation sera toutefois inopérant si la fonction d'activation sans fil est utilisée.

Installer l'unité sans fil

ATTENTION : Mettez l'aspirateur sur une surface plane et stable lorsque vous installez l'unité sans fil.

AVIS : Avant d'installer l'unité sans fil, enlevez les poussières et saletés sur l'aspirateur. Les poussières ou saletés peuvent causer un dysfonctionnement si elles pénètrent dans la fente de l'unité sans fil.

AVIS : Pour éviter que l'électricité statique ne cause un dysfonctionnement, ne saisissez l'unité sans fil qu'après avoir touché un objet qui éliminera l'électricité statique, tel qu'une pièce métallique.

AVIS : Lorsque vous installez l'unité sans fil, assurez-vous toujours qu'elle est insérée dans le bon sens et que le couvercle est complètement fermé.

1. Ouvrez le couvercle de l'aspirateur tel qu'indiqué sur la figure.

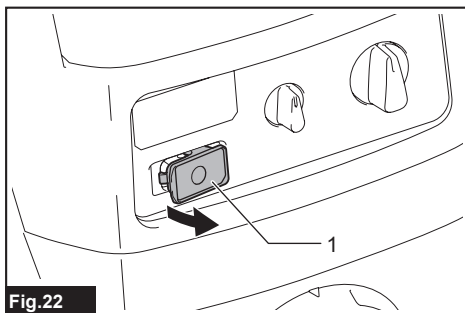


Fig.22

► 1. Couvercle

2. Insérez l'unité sans fil dans la fente, puis fermez le couvercle. Lors de l'insertion de l'unité sans fil, alignez les parties saillantes sur les parties creuses de la fente.

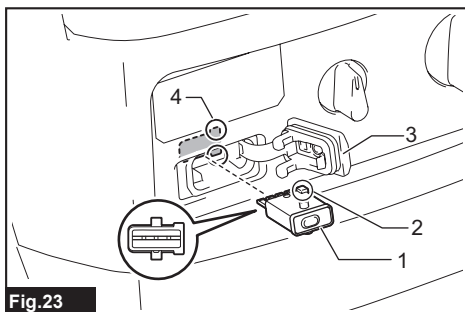


Fig.23

► 1. Unité sans fil 2. Partie saillante 3. Couvercle 4. Partie creuse

Lorsque vous retirez l'unité sans fil, ouvrez lentement le couvercle. Les crochets à l'arrière du couvercle soulèveront l'unité sans fil à mesure que vous tirerez le couvercle vers le haut.

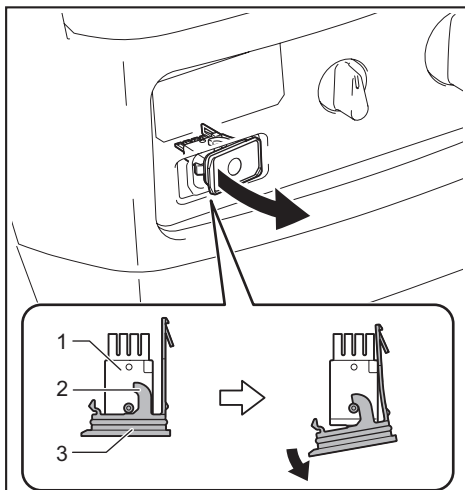


Fig.24

► 1. Unité sans fil 2. Crochet 3. Couvercle

Après avoir retiré l'unité sans fil, gardez-la dans le boîtier fourni ou dans un contenant antistatique.

AVIS : Utilisez toujours les crochets à l'arrière du couvercle lorsque vous retirez l'unité sans fil. Si les crochets ne saisissent pas l'unité sans fil, fermez complètement le couvercle et rouvrez-le lentement.

Enregistrement d'outil pour l'aspirateur

NOTE : Un outil Makita compatible avec la fonction d'activation sans fil est nécessaire pour l'enregistrement d'outil.

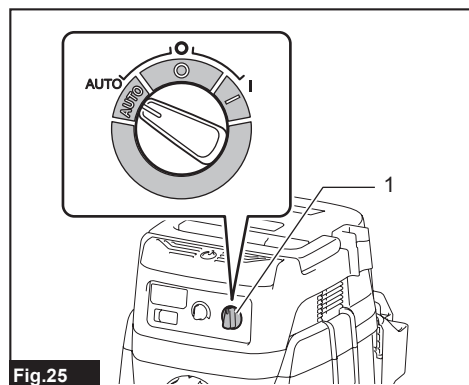
NOTE : Terminez l'installation de l'unité sans fil sur l'outil avant de commencer l'enregistrement d'outil.

NOTE : Pendant l'enregistrement d'outil, n'appuyez pas sur la gâchette de l'outil et n'activez pas l'interrupteur d'alimentation sur l'aspirateur.

NOTE : Reportez-vous également au manuel d'instructions de l'outil.

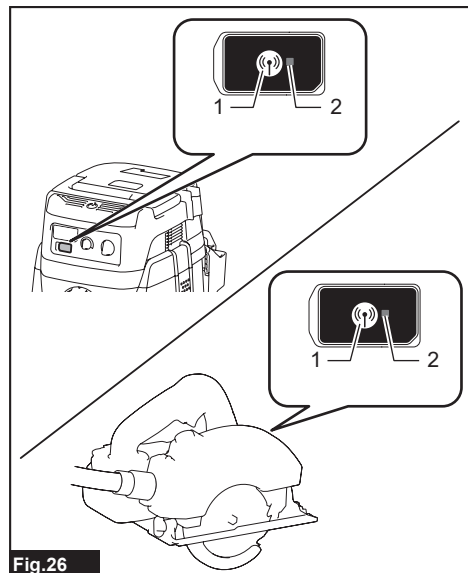
Terminez l'enregistrement d'outil à l'avance, si vous souhaitez que l'aspirateur soit activé lors de l'utilisation de l'interrupteur de l'outil.

1. Installez les unités sans fil respectivement sur l'aspirateur et sur l'outil.
2. Installez les batteries dans l'aspirateur et l'outil.
3. Mettez l'interrupteur de mise sous tension de l'aspirateur sur « AUTO ».



- ▶ 1. Interrupteur de mise sous tension

4. Appuyez pendant 3 secondes sur le bouton d'activation sans fil sur l'aspirateur, jusqu'à ce que le témoin d'activation sans fil clignote en vert. Appuyez ensuite de la même manière sur le bouton d'activation sans fil sur l'outil.



- ▶ 1. Bouton d'activation sans fil 2. Témoin d'activation sans fil

Si la liaison s'établit entre l'aspirateur et l'outil, les témoins d'activation sans fil s'allumeront en vert pendant 2 secondes puis se mettront à clignoter en bleu.

NOTE : Les témoins d'activation sans fil cessent de clignoter en vert au bout de 20 secondes. Appuyez sur le bouton d'activation sans fil sur l'outil pendant que le témoin d'activation sans fil clignote sur l'aspirateur. Si le témoin d'activation sans fil ne clignote pas en vert, appuyez un court instant sur le bouton d'activation sans fil et maintenez-le enfoncé encore une fois.

NOTE : Lorsque vous effectuez deux enregistrements d'outil ou plus pour l'aspirateur, achevez les enregistrements d'outil un à la fois.

Démarrer la fonction d'activation sans fil

NOTE : Terminez l'enregistrement d'outil pour l'aspirateur pour l'activation sans fil.

NOTE : Placez toujours l'aspirateur de manière à pouvoir voir l'état du témoin d'activation sans fil.

NOTE : Reportez-vous également au manuel d'instructions de l'outil.

Après l'enregistrement d'un outil sur l'aspirateur, ce dernier s'activera automatiquement lors de l'utilisation de l'interrupteur de l'outil.

1. Installez les unités sans fil respectivement sur l'aspirateur et sur l'outil.

2. Installez les batteries dans l'aspirateur et l'outil.
3. Raccordez le tuyau de l'aspirateur à l'outil.

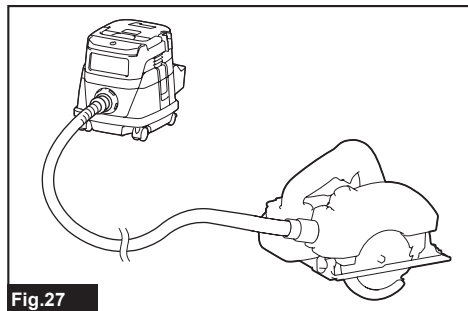


Fig.27

4. Mettez l'interrupteur de mise sous tension de l'aspirateur sur « AUTO ».

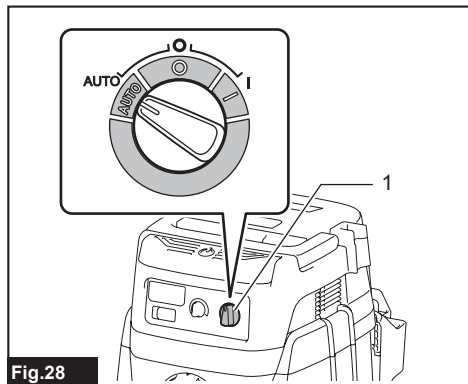


Fig.28

- 1. Interrupteur de mise sous tension

5. Appuyez un court instant sur le bouton d'activation sans fil sur l'outil. Le témoin d'activation sans fil clignotera en bleu.

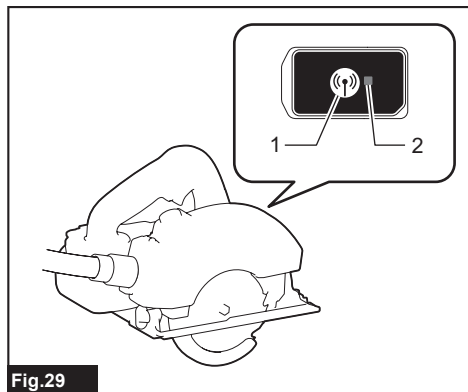


Fig.29

- 1. Bouton d'activation sans fil 2. Témoin d'activation sans fil

6. Allumez l'outil. Vérifiez si l'aspirateur fonctionne pendant que l'outil est en marche.

ATTENTION : Avant de commencer tout travail avec l'outil, vérifiez toujours que la fonction d'activation sans fil est opérante.

Pour arrêter l'activation sans fil, enfoncez le bouton d'activation sans fil sur l'outil, ou mettez l'interrupteur de mise sous tension sur « I » ou « O » sur l'aspirateur.

NOTE : Le témoin d'activation sans fil cessera de clignoter en bleu sur l'outil après 2 heures de non-utilisation. Dans ce cas, mettez l'interrupteur de mise sous tension de l'aspirateur sur « AUTO », et appuyez encore une fois sur le bouton d'activation sans fil sur l'outil.

NOTE : L'aspirateur démarre ou s'arrête avec un retard. Il y a un certain délai lorsque l'aspirateur détecte une utilisation de l'interrupteur de l'outil.

NOTE : La distance de transmission de l'unité sans fil peut varier suivant le lieu et les conditions environnantes.

NOTE : Lorsque deux outils ou plus sont enregistrés sur un aspirateur, celui-ci peut démarrer même si vous ne l'avez pas mis en marche, car un autre utilisateur pourrait utiliser la fonction d'activation sans fil.

Annuler l'enregistrement d'outil pour l'aspirateur

Procédez comme suit pour annuler l'enregistrement d'outil pour l'aspirateur.

1. Installez les unités sans fil respectivement sur l'aspirateur et sur l'outil.
2. Installez les batteries dans l'aspirateur et l'outil.
3. Mettez l'interrupteur de mise sous tension de l'aspirateur sur « AUTO ».

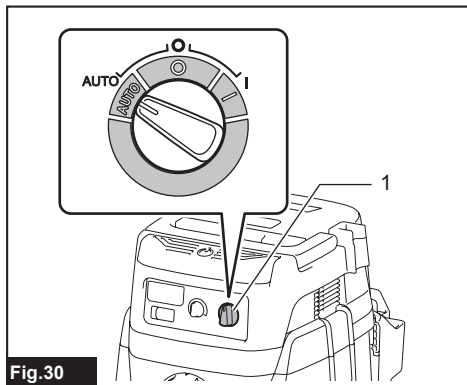


Fig.30

- 1. Interrupteur de mise sous tension

- Appuyez sur le bouton d'activation sans fil sur l'aspirateur pendant 6 secondes. Le témoin d'activation sans fil clignote en vert puis devient rouge. Après cela, appuyez de la même manière sur le bouton d'activation sans fil sur l'outil.

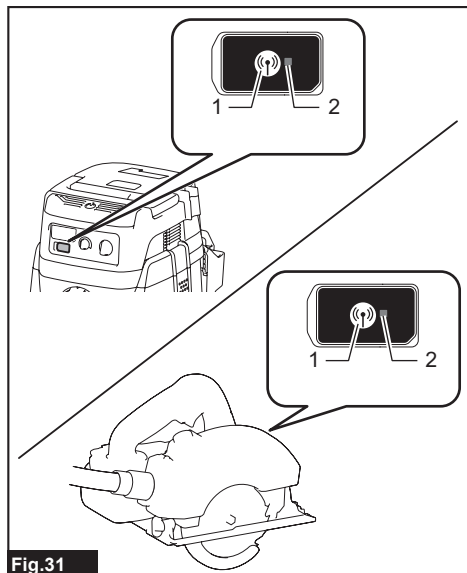


Fig.31

- 1. Bouton d'activation sans fil 2. Témoin d'activation sans fil

Si l'annulation réussit, les témoins d'activation sans fil s'allumeront en rouge pendant 2 secondes puis se mettront à clignoter en bleu.

NOTE : Les témoins d'activation sans fil cessent de clignoter en rouge au bout de 20 secondes. Appuyez sur le bouton d'activation sans fil sur l'outil pendant que le témoin d'activation sans fil clignote sur l'aspirateur. Si le témoin d'activation sans fil ne clignote pas en rouge, appuyez un court instant sur le bouton d'activation sans fil et maintenez-le enfoncé encore une fois.

Effacement de tous les enregistrements d'outil

Vous pouvez effacer tous les enregistrements d'outil sur l'aspirateur, en procédant comme suit.

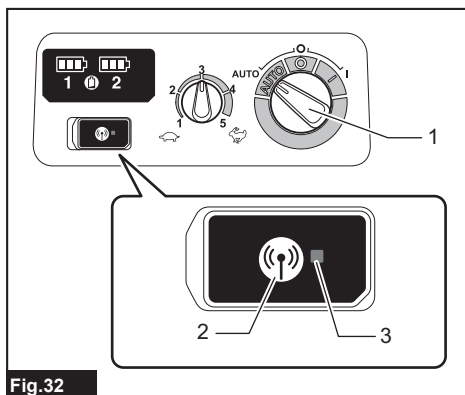


Fig.32

- 1. Interrupteur de mise sous tension 2. Bouton d'activation sans fil 3. Témoin d'activation sans fil

- Installez l'unité sans fil sur l'aspirateur.
- Installez les batteries dans l'aspirateur.
- Mettez l'interrupteur de mise sous tension sur « AUTO ».
- Maintenez enfoncé le bouton d'activation sans fil pendant environ 6 secondes, jusqu'à ce que le témoin d'activation sans fil clignote en rouge (environ deux fois par seconde).
- Lorsque le témoin d'activation sans fil se met à clignoter en rouge, retirez votre doigt du bouton d'activation sans fil. Ensuite, maintenez enfoncé le bouton d'activation sans fil encore une fois pendant environ 6 secondes.
- Lorsque le témoin d'activation sans fil se met à clignoter rapidement (environ 5 fois par seconde) en rouge, retirez votre doigt du bouton d'activation sans fil. Tous les enregistrements d'outil sont effacés lorsque le témoin d'activation sans fil s'allume en rouge puis s'éteint.

NOTE : Si le témoin d'activation sans fil ne clignote pas en rouge, appuyez un court instant sur le bouton d'activation sans fil et réessayez.

Description de l'état du témoin d'activation sans fil

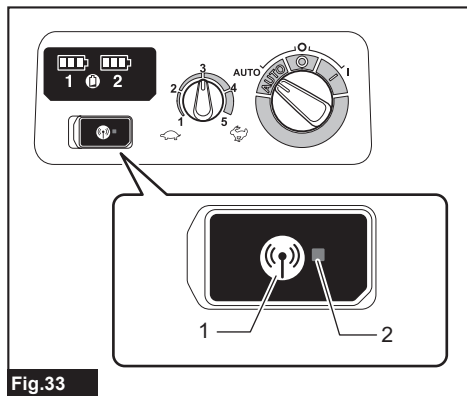


Fig.33

► 1. Bouton d'activation sans fil 2. Témoin d'activation sans fil

Le témoin d'activation sans fil indique l'état de la fonction d'activation sans fil. Reportez-vous au tableau ci-dessous pour connaître la signification de l'état du témoin.

État	Témoin d'activation sans fil			Description	
	Couleur	Allumé	Clignotant		Durée (approximative)
Attente	Bleu	<input checked="" type="checkbox"/>	<input type="checkbox"/>	Aspirateur : suite Outil : 2 heures	L'attente de l'enregistrement d'outil ou de la fonction d'activation sans fil est disponible. Le témoin de l'aspirateur clignote lorsque l'interrupteur de mise sous tension est sur AUTO. Le témoin de l'outil clignote lorsque le bouton d'activation sans fil est enfoncé. Le témoin de l'outil s'éteindra automatiquement après 2 heures de non-utilisation.
		<input type="checkbox"/>	<input type="checkbox"/>	Lorsque l'outil est en marche.	
Enregistrement d'outil	Vert	<input checked="" type="checkbox"/>	<input type="checkbox"/>	20 secondes	Prêt pour l'enregistrement d'outil. Recherche de l'outil à enregistrer en cours.
		<input type="checkbox"/>	<input type="checkbox"/>	2 secondes	L'enregistrement d'outil est terminé. Le témoin d'activation sans fil se mettra à clignoter en bleu.
Annuler/ Effacer l'enregistrement d'outil	Rouge	<input checked="" type="checkbox"/>	<input type="checkbox"/>	20 secondes	Prêt pour l'annulation de l'enregistrement d'outil. Recherche de l'outil à annuler en cours.
		<input checked="" type="checkbox"/>	<input type="checkbox"/>	Lorsque le bouton d'activation sans fil est enfoncé.	Prêt à effacer tous les enregistrements d'outil.
		<input type="checkbox"/>	<input type="checkbox"/>	2 secondes	L'enregistrement d'outil a été annulé/effacé. Le témoin d'activation sans fil se mettra à clignoter en bleu.
Autres	Rouge	<input type="checkbox"/>	<input type="checkbox"/>	3 secondes	L'alimentation est fournie à l'unité sans fil et la fonction d'activation sans fil démarre.
	Éteint	-	-	-	L'interrupteur de mise sous tension n'est pas sur « AUTO ».

Dépannage de la fonction d'activation sans fil

Avant de faire une demande de réparation, faites d'abord votre propre inspection. Si vous rencontrez un problème non indiqué dans ce manuel, n'essayez pas de démonter l'outil. Demandez plutôt à un centre de service après-vente Makita agréé de faire la réparation avec des pièces de rechange Makita.

État anormal	Cause probable (dysfonctionnement)	Solution
Le témoin d'activation sans fil ne s'allume pas ou ne clignote pas.	L'unité sans fil n'est pas installée dans l'aspirateur et/ou dans l'outil. L'unité sans fil n'est pas bien installée dans l'aspirateur et/ou dans l'outil.	Installez l'unité sans fil correctement.
	La borne de l'unité sans fil et/ou la fente est sale.	Essayez doucement les poussières et saletés sur la borne de l'unité sans fil, et nettoyez la fente de l'aspirateur et/ou de l'outil.
	Vous n'avez pas appuyé sur le bouton d'activation sans fil sur l'outil.	Appuyez un court instant sur le bouton d'activation sans fil sur l'outil.
	L'interrupteur de mise sous tension de l'aspirateur n'est pas sur « AUTO ».	Mettez l'interrupteur de mise sous tension de l'aspirateur sur « AUTO ».
	Pas d'alimentation	Fournissez une source d'alimentation à l'outil et à l'aspirateur.
L'enregistrement d'outil ou l'annulation de l'enregistrement d'outil échoue.	L'unité sans fil n'est pas installée dans l'aspirateur et/ou dans l'outil. L'unité sans fil n'est pas bien installée dans l'aspirateur et/ou dans l'outil.	Installez l'unité sans fil correctement.
	La borne de l'unité sans fil et/ou la fente est sale.	Essayez doucement les poussières et saletés sur la borne de l'unité sans fil, et nettoyez la fente de l'aspirateur et/ou de l'outil.
	L'interrupteur de mise sous tension de l'aspirateur n'est pas sur « AUTO ».	Mettez l'interrupteur de mise sous tension de l'aspirateur sur « AUTO ».
	Pas d'alimentation	Fournissez une source d'alimentation à l'outil et à l'aspirateur.
	Utilisation incorrecte	Appuyez un court instant sur le bouton d'activation sans fil et reprenez la procédure d'enregistrement/annulation d'outil.
	L'outil et l'aspirateur sont trop éloignés l'un de l'autre (hors de portée de transmission).	Rapprochez l'outil et l'aspirateur l'un de l'autre. La distance maximale de transmission est d'environ 10 m, mais elle peut varier selon les circonstances.
	Avant la fin de l'enregistrement ou de l'annulation d'outil; - l'interrupteur de l'outil est mis en position de marche; ou - vous activez le bouton d'alimentation de l'aspirateur.	Appuyez un court instant sur le bouton d'activation sans fil et reprenez la procédure d'enregistrement/annulation d'outil.
	La procédure d'enregistrement d'outil n'a pas été achevée pour l'outil ou pour l'aspirateur.	Effectuez la procédure d'enregistrement d'outil pour l'outil et pour l'aspirateur au même moment.
	Perturbation radioélectrique par d'autres appareils qui génèrent des ondes radio de forte intensité.	Gardez l'outil et l'aspirateur à l'écart des appareils tels que dispositifs Wi-Fi et fours à micro-ondes.

État anormal	Cause probable (dysfonctionnement)	Solution
L'aspirateur n'est pas activé par l'utilisation de l'interrupteur de l'outil.	L'unité sans fil n'est pas installée dans l'aspirateur et/ou dans l'outil. L'unité sans fil n'est pas bien installée dans l'aspirateur et/ou dans l'outil.	Installez l'unité sans fil correctement.
	La borne de l'unité sans fil et/ou la fente est sale.	Essayez doucement les poussières et saletés sur la borne de l'unité sans fil, et nettoyez la fente de l'aspirateur et/ou de l'outil.
	Vous n'avez pas appuyé sur le bouton d'activation sans fil sur l'outil.	Appuyez un court instant sur le bouton d'activation sans fil et assurez-vous que le témoin d'activation sans fil clignote en bleu.
	L'interrupteur de mise sous tension de l'aspirateur n'est pas sur « AUTO ».	Mettez l'interrupteur de mise sous tension de l'aspirateur sur « AUTO ».
	Plus de 10 outils sont enregistrés sur l'aspirateur.	Reprenez l'enregistrement d'outil. Si plus de 10 outils sont enregistrés sur l'aspirateur, l'outil enregistré le plus tôt sera automatiquement annulé.
	L'aspirateur a effacé tous les enregistrements d'outil.	Reprenez l'enregistrement d'outil.
	Pas d'alimentation	Fournissez une source d'alimentation à l'outil et à l'aspirateur.
	L'outil et l'aspirateur sont trop éloignés l'un de l'autre (hors de portée de transmission).	Rapprochez l'outil et l'aspirateur l'un de l'autre. La distance maximale de transmission est d'environ 10 m, mais elle peut varier selon les circonstances.
	Perturbation radioélectrique par d'autres appareils qui génèrent des ondes radio de forte intensité.	Gardez l'outil et l'aspirateur à l'écart des appareils tels que dispositifs Wi-Fi et fours à micro-ondes.
L'aspirateur fonctionne pendant que l'outil n'est pas en marche.	D'autres utilisateurs utilisent l'activation sans fil de l'aspirateur avec leurs outils.	Mettez le bouton d'activation sans fil en position d'arrêt sur les autres outils, ou annulez l'enregistrement d'outil des autres outils.
Impossible d'effacer tous les enregistrements d'outil dans l'aspirateur.	Pression du bouton d'activation sans fil sur l'outil.	Appuyez sur le bouton d'activation sans fil de l'aspirateur pour effacer tous les enregistrements d'outil.
	L'interrupteur de mise sous tension de l'aspirateur n'est pas sur « AUTO ».	Mettez l'interrupteur de mise sous tension de l'aspirateur sur « AUTO ».
	Le bouton d'activation sans fil n'est pas maintenu enfoncé correctement.	Maintenez enfoncé le bouton d'activation sans fil pendant plus de 6 secondes, puis libérez-le lorsque le témoin d'activation sans fil clignote en rouge. Maintenez enfoncé le bouton d'activation sans fil pendant plus de 6 secondes encore une fois, jusqu'à ce que le bouton d'activation sans fil clignote rapidement en rouge, puis libérez le bouton.

ENTRETIEN

⚠ ATTENTION : Assurez-vous toujours que l'outil est hors tension et que la batterie est retirée avant d'y effectuer tout travail d'inspection ou d'entretien.

AVIS : N'utilisez jamais d'essence, de benzine, de solvant, d'alcool ou autres produits similaires. Une décoloration, une déformation ou la formation de fissures peuvent en découler.

Pour maintenir la SÉCURITÉ et la FIABILITÉ du produit, les réparations et tout autre travail d'entretien ou de réglage doivent être effectués dans un centre de service après-vente autorisé ou une usine Makita, exclusivement avec des pièces de rechange Makita.

Rangement des accessoires

Les tubes peuvent être mis dans le porte-tube lorsque l'aspirateur doit rester inutilisé pour une courte période.

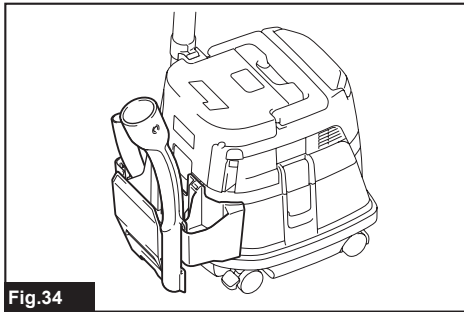


Fig.34

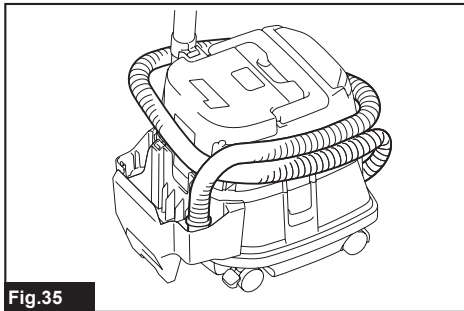


Fig.35

Le tuyau peut être rangé autour de l'outil en connectant chacune des extrémités.

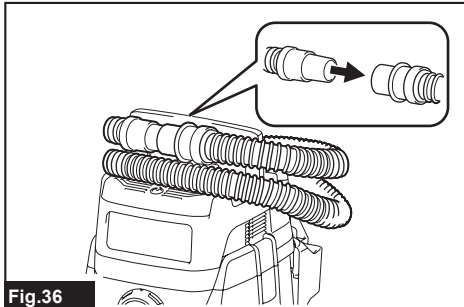


Fig.36

Nettoyage du filtre pour poudres (HEPA) et du préfiltre

Un filtre pour poudres, préfiltre ou amortisseur bouché peut causer une succion médiocre. Nettoyez les filtres et l'amortisseur de temps à autre.

Pour enlever les poussières ou particules collées aux filtres, secouez rapidement le bas du cadre plusieurs fois.

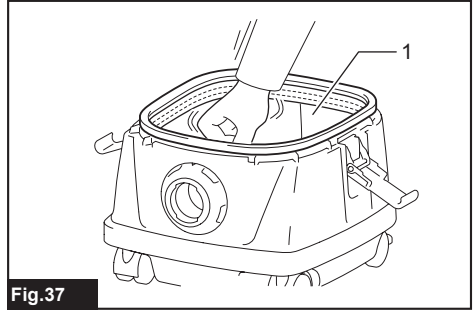


Fig.37

► 1. Préfiltre

Lavez occasionnellement le filtre pour poudres dans l'eau, puis rincez-le et laissez-le sécher complètement, à l'ombre, avant de l'utiliser. Ne lavez jamais les filtres dans une machine à laver.

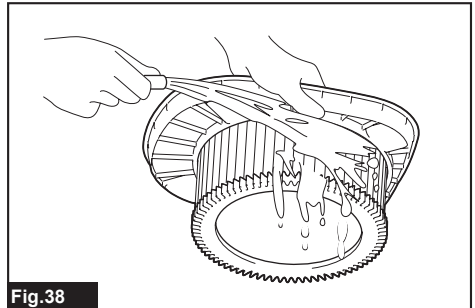


Fig.38

NOTE : Évitez de frotter ou rayer le filtre pour poudres, le préfiltre ou l'amortisseur avec des objets durs tels que brosses et palettes.

NOTE : Les filtres s'usent avec le temps. Il est recommandé d'en avoir quelques-uns de rechange.

ACCESSOIRES EN OPTION

⚠ ATTENTION : Ces accessoires ou pièces complémentaires sont recommandés pour l'utilisation avec l'outil Makita spécifié dans ce manuel. L'utilisation de tout autre accessoire ou pièce complémentaire peut comporter un risque de blessure. N'utilisez les accessoires ou pièces complémentaires qu'aux fins auxquelles ils ont été conçus.

Si vous désirez obtenir plus de détails sur ces accessoires, veuillez contacter le centre de service après-vente Makita le plus près.

- Tuyau
- Manchon avant (22, 24, 38)
- Tuyau rectiligne
- Rallonge
- Buse à angle
- Brosse ronde
- Filtre pour poudres, HEPA (pour les poussières sèches)
- Amortisseur
- Préfiltre
- Ensemble-buse
- Tuyau coudé
- Sac en polyéthylène
- Sac papier
- Jeu de support
- Chargeur et batterie authentiques Makita

NOTE : Certains éléments de la liste peuvent être inclus avec l'outil comme accessoires standards. Ils peuvent varier suivant les pays.

GARANTIE LIMITÉE MAKITA

Pour les conditions de garantie en vigueur qui s'appliquent à ce produit, veuillez vous reporter à la feuille de garantie en annexe. Si la feuille de garantie en annexe n'est pas disponible, reportez-vous aux détails de la garantie présentés sur le site Web de votre pays, ci-dessous.

États-Unis d'Amérique: www.makitatools.com

Canada: www.makita.ca

Autres pays: www.makita.com

ESPECIFICACIONES

Modelo:	DVC867L	DVC157L
Tipo de filtro estándar	Filtro de polvo (para polvo seco)	
Volumen de aire máximo al extremo de la manguera (con BL 1850B, manguera de $\varnothing 38$ mm (1-1/2") x 2,5 m (98-1/2"))	2,4 m ³ /min (85 cu.ft/min)	
Volumen de aire máximo en la turbina (con el modelo BL 1850B)	3,4 m ³ /min (120 cu.ft/min)	
Aspiradora (con el modelo BL 1850B)	11 kPa	
Capacidad recuperable	8 L (2,1 gal)	15 L (4,0 gal)
Dimensiones (La x An x Al)	366 mm x 334 mm x 368 mm (14-3/8" x 13-1/8" x 14-1/2")	366 mm x 334 mm x 421 mm (14-3/8" x 13-1/8" x 16-1/2")
Tensión nominal	36 V c.c.	
Peso neto	7,7 kg - 8,4 kg (17,0 lbs - 18,5 lbs)	8,0 kg - 8,6 kg (17,6 lbs - 19,0 lbs)

- Debido a nuestro continuo programa de investigación y desarrollo, las especificaciones aquí incluidas están sujetas a cambio sin previo aviso.
- Las especificaciones y el cartucho de batería pueden variar de país a país.
- El peso incluye el o los cartuchos de batería, pero no los accesorios. La combinación de menor y mayor peso del aparato y del o los cartuchos de batería se muestra en la tabla.

Cartucho de batería y cargador aplicables

Cartucho de batería	BL1815N / BL1820B / BL1830 / BL1830B / BL1840B / BL1850B / BL1860B
Cargador	DC18RC / DC18RD / DC18RE / DC18SD / DC18SE / DC18SF / DC18SH

- Algunos de los cartuchos de batería y cargadores enumerados arriba podrían no estar disponibles dependiendo de su área de residencia.

⚠ ADVERTENCIA: Use únicamente los cartuchos de batería y los cargadores indicados arriba. El uso de cualquier otro cartucho de batería y cargador podría ocasionar una lesión y/o un incendio.

ADVERTENCIAS DE SEGURIDAD

INSTRUCCIONES IMPORTANTES DE SEGURIDAD

Al usar cualquier aparato eléctrico, siempre deben seguirse las precauciones básicas, incluyendo las siguientes:

GUARDE ESTAS INSTRUCCIONES.

ADVERTENCIA

Para reducir el riesgo de incendio, descarga eléctrica o lesión:

1. No deje el aparato con la batería puesta. Retire la batería del aparato cuando no lo vaya a utilizar y antes de dar servicio de mantenimiento.
2. No lo utilice sobre superficies húmedas. No lo exponga a la lluvia. Almacénelo en interiores.
3. No permita que sea utilizado como un juguete. Preste mucha atención cuando sea utilizado por niños o cerca de ellos.
4. Utilícelo solamente como se describe en este manual. Sólo use aditamentos recomendados por el fabricante.

5. **No lo utilice con una batería dañada.** Si el aparato no está funcionando como debiera, se ha dejado caer, se ha dañado, se ha dejado a la intemperie o ha caído sobre agua, llévalo a un centro de servicio.
6. **No manipule la batería ni el aparato con las manos mojadas.**
7. **No introduzca ningún objeto en las aberturas.** No lo utilice con ninguna abertura bloqueada; manténgalo libre de polvo, pelusa, cabello y cualquier objeto que pueda reducir el flujo de aire.
8. **Mantenga el cabello, la ropa holgada, los dedos y todas las partes del cuerpo lejos de las aberturas y piezas móviles.**
9. **Apague todos los controles antes de retirar el cartucho de batería.**
10. **Tenga especial cuidado cuando limpie en escaleras.**
11. **No lo utilice para recoger líquidos inflamables o combustibles, tal como gasolina, ni en áreas donde puedan estar presentes.**
12. **Utilice solamente el cargador suministrado por el fabricante para recargar.**
13. **No recoja nada que se esté quemando o desprenda humo, tal como cigarrillos, fósforos o cenizas calientes.**
14. **Asegúrese siempre de que los filtros estén instalados correctamente antes de usarlos.** No utilice la aspiradora sin los filtros colocados en su sitio. Reemplace cualquier filtro dañado de inmediato. Se recomienda tener algunos repuestos, ya que los filtros son artículos consumibles.
15. **No cargue la batería en exteriores.**
16. **No utilice la aspiradora como banco o mesa de trabajo.** La máquina podría caerse y ocasionar una lesión personal.
17. **No aspire espuma ni jabón líquido.** Puede hacer que salga espuma por la salida de aire, provocando una descarga eléctrica y daños a la aspiradora.
18. **No aspire los siguientes elementos:**
 - Líquidos inflamables (queroseno, gasolina, disolventes como bencina, diluyentes, etc.)
 - Sustancias calientes que están ardiendo o echando humo (cigarrillos, cerillas, palitos de incienso, velas, cenizas calientes), chispas y polvo metálico generados por el corte o el lijado de metales, etc.
 - Materiales inflamables (tónor, pinturas, aerosoles, etc.)
 - Espumas, como limpiadores de alfombras, etc. (pueden causar explosiones o incendios)
 - Sustancias explosivas o pirofóricas (nitroglicerina, aluminio, magnesio, titanio, zinc, fósforo rojo, fósforo amarillo, celuloide, etc., y su polvo, gases o vapores)
 - Objetos afilados (cristal, cubiertos, astillas de madera, metales, piedras, clavos, cuchillas, tachuelas, etc.)
 - Polvo fino conductor y solidificante (polvo metálico o de carbono)
 - Deshumidificador
 - Grandes cantidades de polvo (harina, polvo de extintor de incendios, etc.)
 - Sustancias que causan síntomas tóxicos
 - Productos químicos agresivos (ácidos, lixiviados, etc.)
 - Basura líquida o húmeda, incluyendo vómitos y heces
 - Asbesto
 - Pesticidas

Tal acción podría ocasionar un incendio, lesiones y/o daños materiales. Para reducir la exposición a estas sustancias químicas, utilice un equipo de protección respiratoria aprobado, tal como las máscaras contra polvo que están especialmente diseñadas para filtrar partículas microscópicas. No apunte la salida de aire a la cara y al cuerpo.

NOTA: Lea el reglamento OSHA en lo referente a polvo de sílice a fin de entender los requisitos necesarios para reducir la exposición al polvo de sílice en el puesto de trabajo.

Contiene normas específicas sobre el taladrado, la demolición, el corte y el lijado de materiales que contienen sílice. Todos los requisitos de la OSHA relacionados con la reducción de polvo de sílice se pueden encontrar en el sitio web de la OSHA: www.osha.gov.

19. **Este aparato no se destina para utilizarse por personas (incluyendo niños) cuyas capacidades físicas, sensoriales o mentales sean diferentes o estén reducidas o carezcan de experiencia o de conocimiento, a menos que dichas personas reciban una supervisión o capacitación para el funcionamiento del aparato por una persona responsable de su seguridad.**
20. **Los niños deben supervisarse para asegurar que ellos no empleen los aparatos como juguete.**

Uso y cuidado de la herramienta a batería

1. **Evite un arranque accidental. Asegúrese de que el interruptor esté en la posición apagada antes de conectar el paquete de baterías, levantar el aparato o cargarlo.** Cargar el aparato con su dedo en el interruptor o pasar energía al aparato con el interruptor encendido puede propiciar accidentes.
2. **Desconecte el paquete de baterías del aparato antes de hacer cualquier ajuste, cambiar accesorios o almacenar el aparato.** Estas medidas de seguridad preventivas reducen el riesgo de poner en marcha el aparato accidentalmente.
3. **Recargue sólo con el cargador especificado por el fabricante.** Un cargador que es adecuado para un solo tipo de batería puede generar riesgo de incendio al ser utilizado con otra batería.

4. **Use los aparatos únicamente con los paquetes de baterías designados específicamente para ellos.** El uso de otros paquetes de baterías puede generar riesgo de lesiones e incendio.
5. **Cuando no se esté usando la batería, manténgala alejada de otros objetos metálicos, como sujetapapeles (clips), monedas, llaves, clavos, tornillos u otros objetos pequeños de metal los cuales pueden actuar creando una conexión entre las terminales de la batería.** Originar un cortocircuito en las terminales puede causar quemaduras o incendios.
6. **En condiciones abusivas, podrá escapar líquido de la batería; evite tocarlo. Si lo toca accidentalmente, enjuague con agua. Si hay contacto del líquido con los ojos, busque asistencia médica.** Puede que el líquido expulsado de la batería cause irritación o quemaduras.
7. **No utilice un paquete de baterías o aparato que esté dañado o haya sido modificado. Las baterías dañadas o modificadas podrían comportarse de manera impredecible causando un incendio, explosión o riesgo de lesión.**
8. **No exponga un paquete de baterías o aparato al fuego o a una temperatura excesiva. La exposición al fuego o a una temperatura superior a 130 °C podría causar una explosión.**
9. **Siga todas las instrucciones relativas a la carga y no cargue el paquete de baterías o el aparato fuera del rango de temperatura especificado en las instrucciones.** Cargar de manera inapropiada o a temperaturas fuera del rango especificado podría dañar la batería e incrementar el riesgo de incendio.
10. **Pida que el servicio lo realice un técnico en reparaciones calificado y que utilice únicamente piezas de repuesto idénticas a las originales.** Esto garantizará que se mantenga la seguridad del producto.


11. No modifique ni intente reparar el aparato ni el paquete de baterías salvo como se indique en las instrucciones para el uso y cuidado.

GUARDE ESTAS INSTRUCCIONES.

Este aparato está diseñado para uso comercial.

Símbolos

A continuación se muestran los símbolos utilizados para la herramienta.

v	volts o voltios
≡	corriente directa o continua
⚠	Ponga especial atención y tenga cuidado.
	Nunca se pare sobre la aspiradora.

Instrucciones importantes de seguridad para el cartucho de batería

1. Antes de utilizar el cartucho de batería, lea todas las instrucciones e indicaciones de precaución en el (1) el cargador de batería, (2) la batería, y (3) el producto con el que se utiliza la batería.
2. No desarme ni modifique el cartucho de batería. Podría ocurrir un incendio, calor excesivo o una explosión.
3. Si el tiempo de operación se ha acortado en exceso, deje de operar de inmediato. Podría correrse el riesgo de sobrecalentamiento, posibles quemaduras e incluso explosión.
4. En caso de que ingresen electrolitos en sus ojos, enjuáguelos bien con agua limpia y consulte de inmediato a un médico. Esto podría ocasionar pérdida de visión.
5. Evite cortocircuitar el cartucho de batería:
 - (1) No toque las terminales con ningún material conductor.
 - (2) Evite guardar el cartucho de batería en un cajón junto con otros objetos metálicos, tales como clavos, monedas, etc.
 - (3) No esponga el cartucho de batería al agua o la lluvia.

Un cortocircuito en la batería puede causar un flujo grande de corriente, sobrecalentamiento, posibles quemaduras e incluso una descompostura.
6. No guarde ni utilice la herramienta y el cartucho de batería en lugares donde la temperatura pueda alcanzar o exceder los 50 °C (122 °F).
7. Nunca incinere el cartucho de batería incluso en el caso de que esté dañado seriamente o ya no sirva en absoluto. El cartucho de batería puede explotar si se tira al fuego.
8. No clave, corte, aplaste, lance o deje caer el cartucho de batería, ni golpee un objeto sólido contra el cartucho de batería. Dicha acción podría resultar en un incendio, calor excesivo o en una explosión.
9. No use una batería dañada.
10. Las baterías de ión de litio están sujetas a los requisitos reglamentarios en materia de bienes peligrosos.

Para el transporte comercial, por ej., mediante terceros o agentes de transporte, se deben tomar en cuenta los requisitos especiales relativos al empaque y el etiquetado. Para efectuar los preparativos del artículo que se va a enviar, se requiere consultar a un experto en materiales peligrosos. Si es posible, consulte además otras regulaciones nacionales más detalladas.

Pegue o cubra con cinta adhesiva los contactos abiertos y empaque la batería de manera que ésta no pueda moverse dentro del paquete.

11. **Para deshacerse del cartucho de batería, sáquelo de la herramienta y deséchelo en un lugar seguro. Siga las regulaciones locales relacionadas al desecho de las baterías.**
12. **Utilice las baterías únicamente con los productos especificados por Makita. Instalar las baterías en productos que no cumplen con los requisitos podría ocasionar un incendio, un calentamiento excesivo, una explosión o una fuga de electrolito.**
13. **Siga las regulaciones locales relacionadas al desecho de las baterías.**
14. **El cartucho de batería podría absorber calor durante y después de su uso, lo que ocasionaría quemaduras o quemaduras a baja temperatura. Tenga cuidado con la manipulación de los cartuchos de batería que estén calientes.**
15. **No toque el terminal de la herramienta inmediatamente después de su uso, ya que el mismo podría estar lo suficientemente caliente como para provocar quemaduras.**
16. **No permita que las rebabas, el polvo o la tierra queden atrapados en los terminales, orificios y ranuras del cartucho de batería. Podría provocar calentamiento, incendio, explosión y mal funcionamiento de la herramienta o del cartucho de batería, lo que resultaría en quemaduras o lesiones personales.**
17. **No utilice el cartucho de batería cerca de cables eléctricos de alto voltaje, a menos que la herramienta sea compatible con el uso cercano a estos cables eléctricos de alto voltaje. Esto podría ocasionar una avería o descompostura de la herramienta o del cartucho de batería.**
18. **Mantenga la batería alejada de los niños.**

GUARDE ESTAS INSTRUCCIONES.

⚠PRECAUCIÓN: Utilice únicamente baterías originales de Makita. El uso de baterías no originales de Makita, o de baterías alteradas, puede ocasionar que las baterías exploten causando un incendio, lesiones personales y daños. Asimismo, esto invalidará la garantía de Makita para la herramienta y el cargador Makita.

Consejos para alargar al máximo la vida útil de la batería

1. **Cargue el cartucho de batería antes de que se descargue completamente. Pare siempre la operación y cargue el cartucho de batería cuando note menos potencia en la herramienta.**
2. **No cargue nunca un cartucho de batería que esté completamente cargado. La sobrecarga acortará la vida de servicio de la batería.**
3. **Cargue el cartucho de batería a una temperatura ambiente de 10 °C - 40 °C (50 °F - 104 °F). Si un cartucho de batería está caliente, déjelo enfriar antes de cargarlo.**
4. **Cuando no utilice el cartucho de batería, sáquelo de la herramienta o del cargador.**
5. **Cargue el cartucho de batería si no va a utilizarlo durante un período prolongado (más de seis meses).**

Instrucciones importantes de seguridad para la unidad inalámbrica

1. **No desarme ni modifique la unidad inalámbrica.**
2. **Mantenga la unidad inalámbrica alejada de los niños pequeños. En caso de ingerirla accidentalmente, solicite atención médica de inmediato.**
3. **Utilice la unidad inalámbrica solamente con herramientas de Makita.**
4. **No exponga la unidad inalámbrica a la lluvia ni a condiciones de humedad.**
5. **No utilice la unidad inalámbrica en lugares donde la temperatura exceda los 50 °C (122 °F).**
6. **No utilice la unidad inalámbrica en lugares donde haya instrumentos médicos tales como marcapasos cerca.**
7. **No utilice la unidad inalámbrica en lugares donde haya dispositivos automáticos cerca. Si se utiliza, los dispositivos automáticos podrían causar alguna avería o error.**
8. **No opere la unidad inalámbrica en lugares con alta temperatura o donde pueda generarse electricidad estática o ruido eléctrico.**
9. **La unidad inalámbrica puede producir campos electromagnéticos (CEM), sin embargo éstos no son dañinos para el usuario.**
10. **La unidad inalámbrica es un instrumento de precisión. Tenga cuidado de no dejar caer ni golpear la unidad inalámbrica.**

11. Evite tocar la terminal de la unidad inalámbrica con las manos descubiertas o con materiales metálicos.
12. Retire siempre la batería del producto al instalar en él la unidad inalámbrica.
13. Cuando abra la tapa de la ranura, evite el lugar donde el polvo y el agua puedan introducirse en la ranura. Mantenga siempre la entrada de la ranura limpia.
14. Inserte siempre la unidad inalámbrica en la dirección correcta.
15. No oprima el botón de activación inalámbrica en la unidad inalámbrica demasiado fuerte, ni lo haga con ningún objeto que tenga un borde filoso.
16. Cierre siempre la tapa de la ranura durante la operación.
17. No retire la unidad inalámbrica de la ranura mientras se esté suministrando energía a la herramienta. El hacerlo podría causar una avería de la unidad inalámbrica.
18. No retire la etiqueta en la unidad inalámbrica.
19. No coloque ninguna etiqueta en la unidad inalámbrica.
20. No deje la unidad inalámbrica en un lugar donde pueda generarse electricidad estática o ruido eléctrico.
21. No deje la unidad inalámbrica en un lugar sujeto a temperaturas altas, tal como un vehículo estacionado bajo el sol.
22. No deje la unidad inalámbrica en un lugar donde haya polvo o suciedad ni en un lugar donde pueda generarse gas corrosivo.
23. Los cambios repentinos de temperatura podrían humedecer la unidad inalámbrica. No utilice la unidad inalámbrica hasta que la condensación se haya secado por completo.
24. Cuando vaya a limpiar la unidad inalámbrica, hágalo cuidadosamente usando un paño suave seco. No utilice bencina, disolvente, grasa conductora o sustancias similares.
25. Cuando vaya a almacenar la unidad inalámbrica, guárdela en el estuche suministrado o en un contenedor libre de electricidad estática.
26. No inserte ningún otro dispositivo que no sea la unidad inalámbrica de Makita en la ranura de la herramienta.
27. No utilice la herramienta si la tapa de la ranura está dañada. La entrada de agua, polvo o suciedad en la ranura podría causar una avería.
28. No jale ni tuerza la tapa de la ranura más de lo necesario. Vuelva a colocar la tapa si ésta se sale de la herramienta.
29. Reemplace la tapa de la ranura si llega a perderse o dañarse.

GUARDE ESTAS INSTRUCCIONES.

DESCRIPCIÓN DE LAS PIEZAS

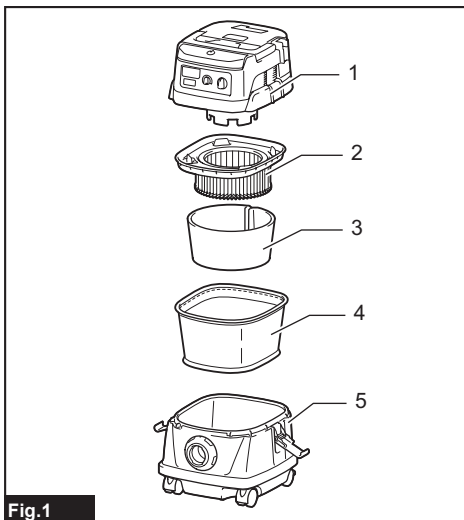


Fig.1

- 1. Cubierta del tanque 2. Filtro de polvo (HEPA)
3. Amortiguador 4. Prefiltro 5. Tanque

DESCRIPCIÓN DEL FUNCIONAMIENTO

⚠PRECAUCIÓN: Asegúrese siempre de que la herramienta esté apagada y el cartucho de batería haya sido extraído antes de realizar cualquier ajuste o comprobación en la herramienta.

Instalación o extracción del cartucho de batería

⚠PRECAUCIÓN: Apague siempre la herramienta antes de colocar o quitar el cartucho de batería.

⚠PRECAUCIÓN: Sujete la aspiradora y el cartucho de batería con firmeza al colocar o quitar el cartucho. Si no se sujeta con firmeza la aspiradora y el cartucho de batería, puede ocasionar que se resbalen de sus manos resultando en daños a la aspiradora y al cartucho, así como lesiones a la persona.

⚠PRECAUCIÓN: Tenga cuidado de no pellizcar sus dedos al abrir o cerrar la cubierta de la batería. El no hacerlo podría causar lesiones personales.

Para instalar el cartucho de batería, libere el seguro primero y luego abra la cubierta de la batería. Después de esto, inserte el cartucho de batería.

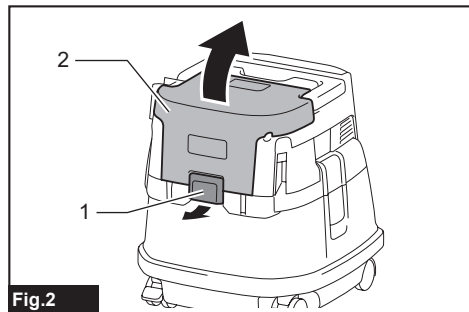


Fig.2
► 1. Seguro 2. Cubierta de la batería

Alinee la lengüeta en el cartucho de batería con la ranura en la carcasa y deslícelo en su lugar. Insértelo por completo hasta que quede asegurado en su lugar haciendo un pequeño clic. Luego cierre con el seguro de la cubierta de la batería.

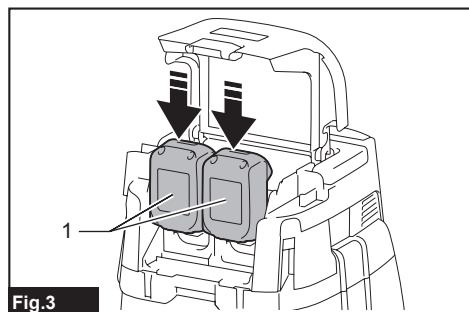


Fig.3
► 1. Cartucho de batería

Para quitar el cartucho de batería, sáquelo de la herramienta mientras desliza el botón enfrente del cartucho.

⚠PRECAUCIÓN: Siempre introduzca completamente el cartucho de batería hasta que el indicador rojo no pueda verse. De lo contrario, podría salirse accidentalmente de la aspiradora y ocasionarle lesiones a usted o a alguien a su alrededor.

⚠PRECAUCIÓN: No instale el cartucho de batería a la fuerza. Si el cartucho no se desliza al interior fácilmente, se debe a que no está siendo insertado correctamente.

NOTA: La aspiradora no funciona con un sólo cartucho de batería.

Indicación de la capacidad restante de la batería

Únicamente para cartuchos de batería con el indicador

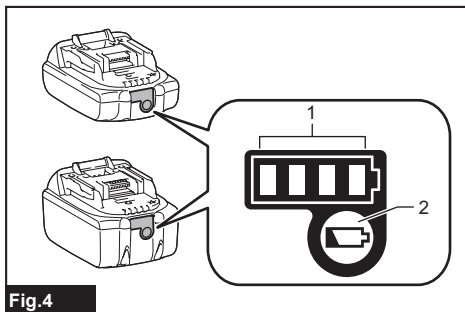


Fig.4
► 1. Luces indicadoras 2. Botón de verificación

Oprima el botón de verificación en el cartucho de la batería para que indique la capacidad restante de la batería. Las luces indicadoras se iluminarán por algunos segundos.

Luces indicadoras			Capacidad restante
Iluminadas	Apagadas	Parpadeando	
■	□	▧	75% a 100%
■	■	□	50% a 75%
■	□	□	25% a 50%
■	□	□	0% a 25%
▧	□	□	Cargar la batería.
■	■	□	La batería pudo haber funcionado mal.
□	□	■	

NOTA: Dependiendo de las condiciones de uso y la temperatura ambiente, la indicación podrá diferir ligeramente de la capacidad real.

NOTA: La primera luz indicadora (extrema izquierda) parpadeará cuando el sistema de protección de batería esté en funcionamiento.

Indicación de capacidad restante de la batería

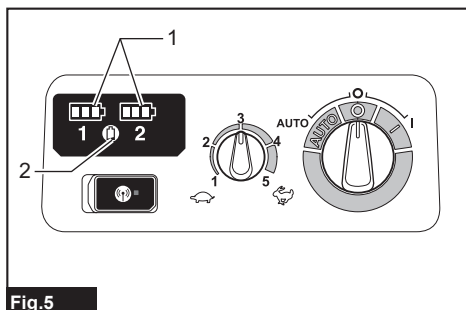


Fig.5

► 1. Indicador de batería 2. Botón de verificación

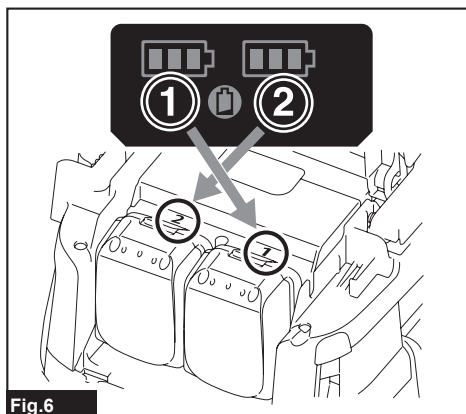


Fig.6

Oprima el botón de verificación para indicar las capacidades restantes de la batería. Los indicadores de batería corresponden a cada batería.

Estado del indicador de batería			Capacidad restante de la batería
Encendido	Apagado	Parpadeando	
			50% a 100%
			20% a 50%
			0% a 20%
			Cargar la batería

NOTA: Si la aspiradora está encendida con el interruptor de modo en espera ajustado en "AUTO", el indicador de batería no funcionará.

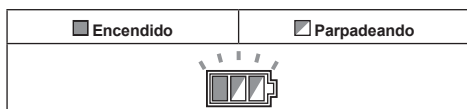
Sistema de protección para la herramienta/batería

La herramienta está equipada con un sistema de protección de la herramienta/batería. Este sistema corta en forma automática el suministro de energía al motor para prolongar la vida útil de la herramienta y la batería. La herramienta se detendrá automáticamente durante la operación si la herramienta o la batería se someten a una de las siguientes condiciones:

Protección contra sobrecarga

Cuando la herramienta se está utilizando de manera que causa que consuma una cantidad de corriente inusualmente alta, la herramienta se detiene automáticamente sin que haya indicación alguna. En este caso, apague la herramienta y detenga la aplicación que causó que la herramienta se sobrecargara. Luego encienda la herramienta para reiniciarla.

Protección contra sobrecalentamiento



Cuando la herramienta se sobrecalienta, ésta se detiene automáticamente y el indicador de batería parpadea alrededor de 60 segundos. En este caso, espere a que la herramienta se enfríe antes de volver a encenderla.

Protección contra sobredescarga

Cuando la capacidad de la batería se reduce, la herramienta se detiene automáticamente. Si el producto no funciona incluso cuando los interruptores están siendo operados, retire las baterías de la herramienta y cárguelas.

Accionamiento del interruptor

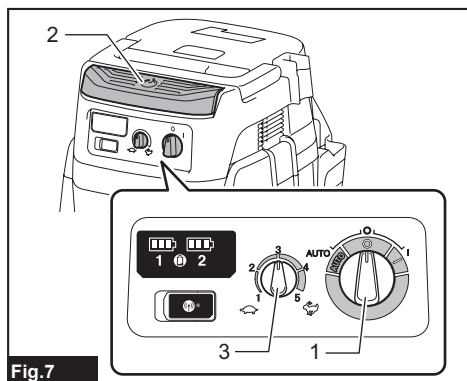




Fig.7

► 1. Interruptor de modo en espera 2. Botón de encendido/apagado 3. Perilla de ajuste de la fuerza de succión

Para arrancar la aspiradora:

1. Ajuste el interruptor de modo en espera en el lado "I". La aspiradora se pondrá en el estado de modo en espera.
2. Oprima el botón de encendido/apagado.

Para poner la aspiradora en el modo en espera, oprima nuevamente el botón de encendido/apagado.
Para apagar la aspiradora, ajuste el interruptor de modo en espera en el lado "O".

La potencia de succión se puede ajustar según sus necesidades de trabajo.
La potencia de succión se puede incrementar girando la perilla de ajuste de la fuerza de succión del símbolo  al símbolo .

AVISO: Ajuste siempre el interruptor de modo en espera en el lado "O" cuando no vaya a utilizar la aspiradora durante un tiempo prolongado. La aspiradora consumirá energía durante el estado de modo en espera.

Bloqueo o desbloqueo de la rueda

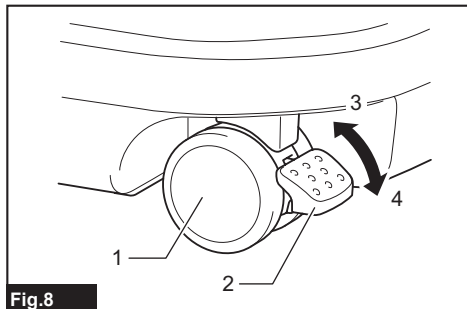


Fig.8

► 1. Rueda 2. Palanca del tope 3. Posición LIBERADA 4. Posición BLOQUEADA

Es conveniente bloquear la rueda para almacenar la aspiradora, detener el trabajo momentáneamente y mantener la aspiradora inmóvil.
Para usar el tope, muévelo manualmente.
Para bloquear la rueda con el tope, baje la palanca del tope y la rueda ya no podrá girar. Para liberar la rueda de la posición bloqueada, levante la palanca del tope.

NOTA: Cuando mueva la aspiradora, asegúrese de que la rueda esté desbloqueada. El mover la aspiradora con la rueda en la posición bloqueada podría causar daños a la rueda.

Mango de transporte

Cuando transporte la aspiradora, sosténgala del mango ubicado en la cabeza. El mango en la cabeza es retráctil para guardarse cuando no se utilice.

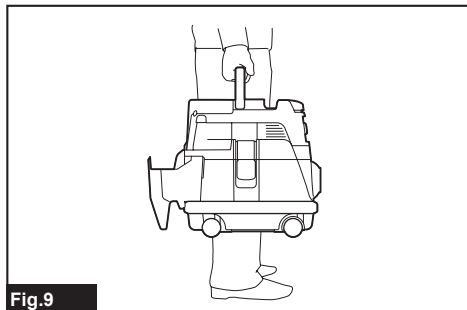


Fig.9

MONTAJE

PRECAUCIÓN: Asegúrese siempre de que la herramienta esté apagada y el cartucho de batería haya sido extraído antes de realizar cualquier trabajo en la misma.

PRECAUCIÓN: Utilice siempre una máscara contra el polvo durante el ensamblado o mantenimiento.

Instalación del filtro de polvo (HEPA) y el prefiltro (para polvo seco)

PRECAUCIÓN: Nunca aspire agua ni otros líquidos o polvo húmedo cuando utilice el filtro de polvo. El aspirar este tipo de objetos podría causar la avería del filtro de polvo.

Para usar el filtro de polvo:

1. Coloque el prefiltro en el tanque alineando las marcas de posición de montaje.
2. Instale el amortiguador en el filtro de polvo y luego colóquelos en el prefiltro alineando las marcas de posición de montaje.
3. Instale la cubierta del tanque y asegúrela.

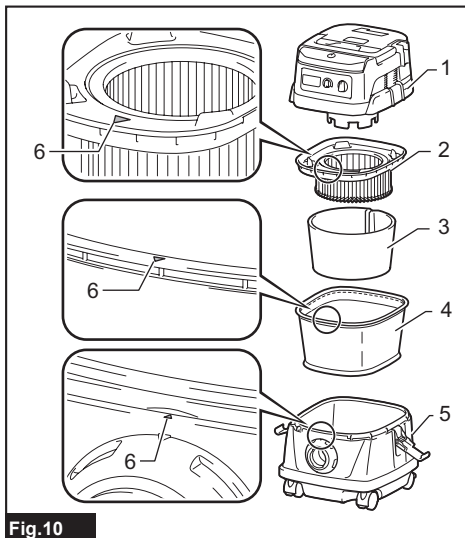


Fig.10

- 1. Cubierta del tanque 2. Filtro de polvo (HEPA) 3. Amortiguador 4. Prefiltro 5. Tanque 6. Marca de posición de montaje

AVISO: Antes de usar el filtro de polvo, asegúrese de que el prefiltro y el amortiguador siempre se utilicen juntos. El filtro de polvo no debe ser instalado solo.

Instalación de la bolsa de papel para polvo

Accesorio opcional

⚠ADVERTENCIA: Cuando use una bolsa de papel para polvo, utilice también junto con esta el prefiltro preinstalado en la herramienta. No utilizar el prefiltro junto con la bolsa de papel para polvo podría ocasionar un ruido y calentamiento anormales, lo cual puede provocar un incendio.

⚠PRECAUCIÓN: Antes de usar la bolsa de papel para polvo, asegúrese de que el filtro de polvo, el amortiguador y el prefiltro se utilicen siempre juntos.

1. Extienda la bolsa de papel para polvo.
2. Alinee la abertura de la bolsa de papel para polvo con la abertura de succión de polvo de la aspiradora.
3. Inserte el cartón de la bolsa de papel para polvo en el sujetador de manera que quede colocado en el extremo más allá de la protuberancia del tope.

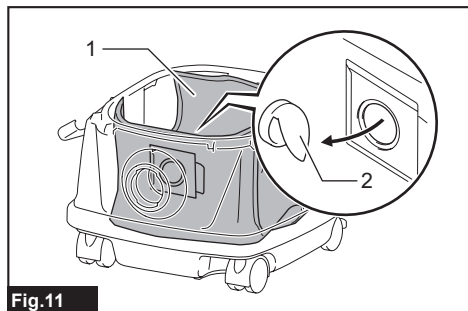


Fig.11

- 1. Bolsa de papel para polvo 2. Sujetador

Instalación de la bolsa de polietileno

La aspiradora también se puede utilizar sin la bolsa de polietileno. Sin embargo, con el uso de la bolsa de polietileno resulta más fácil vaciar el tanque sin ensuciarse las manos.

Extienda la bolsa de polietileno en el tanque. Insértela entre la placa del sujetador y el tanque, y júela hacia la entrada para la manguera.

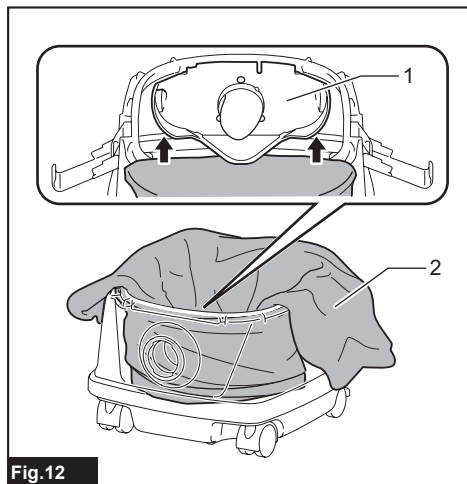


Fig.12

- 1. Placa del sujetador 2. Bolsa de polietileno

Extienda la bolsa alrededor de la parte superior del tanque de manera que el borde del prefiltro pueda agarrar y sujetar la bolsa firmemente.

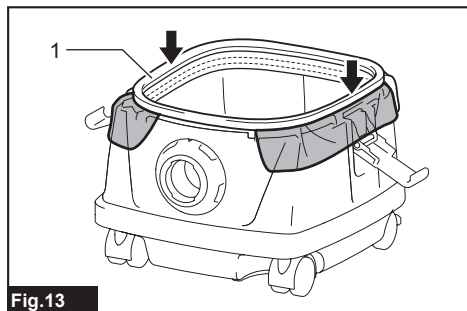


Fig.13

- 1. Prefiltro

NOTA: Se puede utilizar cualquier bolsa de polietileno disponible en el mercado. Se recomienda el uso de una con un grosor de 0,04 mm o más.

NOTA: Si se recolecta demasiado polvo la bolsa podría romperse fácilmente, por lo que debe evitar recolectar más de la mitad de la capacidad de la bolsa.

Vaciado de la bolsa de polietileno

⚠️ ADVERTENCIA: Asegúrese siempre de que la aspiradora esté apagada y que el cartucho de batería haya sido extraído antes de vaciar la bolsa de polietileno. El no hacerlo podría ocasionar una descarga eléctrica y lesiones personales graves.

⚠️ PRECAUCIÓN: Evite los impactos fuertes sobre el tanque. Un impacto fuerte podría deformar y dañar las piezas.

⚠️ PRECAUCIÓN: Vacíe el tanque por lo menos una vez al día, aunque esto dependerá del volumen de polvo aspirado en el tanque. De lo contrario, la fuerza de succión se vería reducida y el motor podría averiarse.

⚠️ PRECAUCIÓN: Evite agarrar el gancho mientras vacía el tanque. El agarrar el gancho podría ocasionar que éste se rompa.

Desenganche y levante la cubierta del tanque. Sacuda el polvo del prefiltro y luego retire la bolsa de polietileno del tanque.

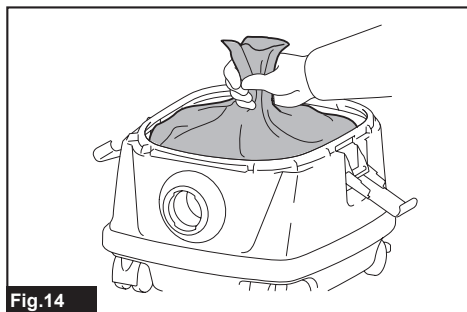


Fig.14

NOTA: Retire con cuidado la bolsa de polietileno del tanque de manera que ésta no pueda quedar enganchada y romperse por la protuberancia en el interior del tanque al vaciarla.

NOTA: Vacíe la bolsa de polietileno antes de que se llene. Demasiado polvo en el tanque podría causar que la bolsa de polietileno se rompa.

Instalación de la caja de herramientas

1. Libere el seguro de la cubierta de la batería y ábrala.
2. Coloque los rieles en la caja de herramientas a lo largo de las ranuras en la carcasa.
3. Cierre la cubierta de la batería y ponga el seguro.

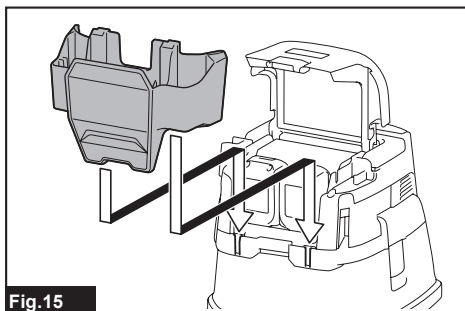


Fig.15

La caja de herramientas resulta conveniente para guardar baterías, tubos o bocas.

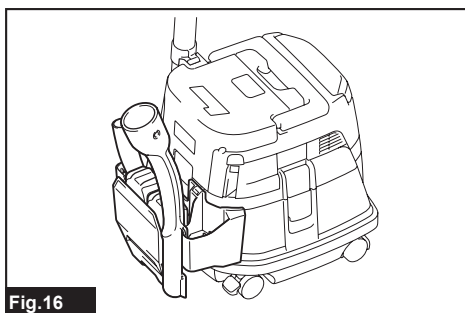


Fig.16

Conexión de la manguera

AVISO: Nunca fuerce la manguera para doblarla o aplastarla. Nunca mueva la aspiradora tomándola de la manguera. El forzar, aplastar y jalar la manguera podría ocasionar que ésta se averíe o se deforme.

AVISO: Cuando aspire residuos grandes tales como los generados al tallar con cepillo, polvo de concreto o similares que no sean residuos pequeños, utilice la manguera con diámetro interior de 38 mm (accesorio opcional). El usar la manguera con diámetro interior de 28 mm (accesorio opcional) podría causar obstrucciones y daños a la manguera.

Inserte la manguera en el puerto de montaje del tanque y gírela en el sentido de las manecillas del reloj hasta que quede asegurada.

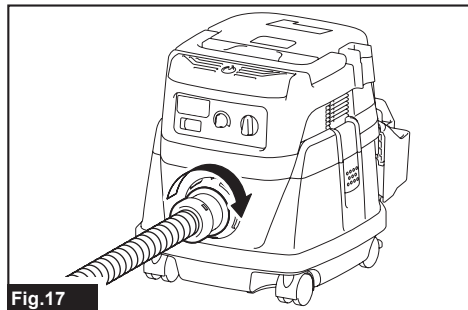


Fig.17

Conexión del aditamento con la función de bloqueo

Accesorio opcional

Inserte el aditamento en la entrada de succión hasta que escuche un clic. Para extraerlo, jale el aditamento oprimiendo simultáneamente el botón de liberación.

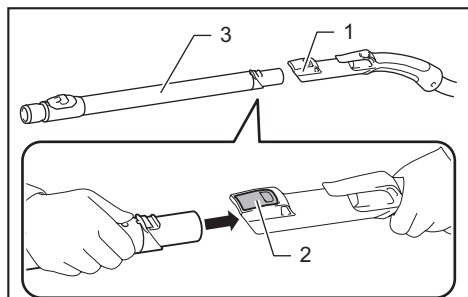


Fig.18

► 1. Entrada de succión con la función de bloqueo 2. Botón de liberación 3. Aditamento con la función de bloqueo

NOTA: El aditamento con la función de bloqueo está disponible cuando se utiliza la entrada de succión con la función de bloqueo.

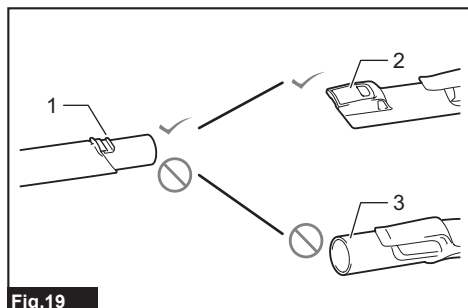


Fig.19

► 1. Aditamento con la función de bloqueo 2. Entrada de succión con la función de bloqueo 3. Entrada de succión sin la función de bloqueo

Ajuste de la longitud del tubo de extensión de tipo corredera

Accesorio opcional

Ajuste la longitud del tubo mientras presiona el botón deslizable. La longitud se bloquea cuando se suelta el botón deslizable.

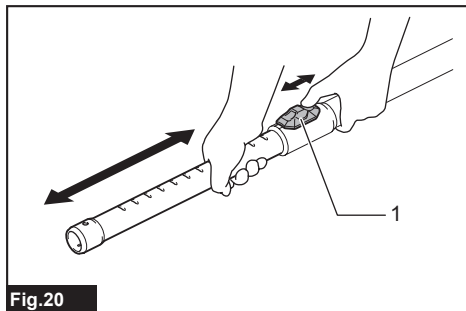


Fig.20

► 1. Botón deslizable

FUNCIÓN DE ACTIVACIÓN INALÁMBRICA

Lo que puede hacer con la función de activación inalámbrica

La función de activación inalámbrica permite una operación limpia y cómoda. Si conecta a la aspiradora una herramienta compatible, podrá hacer que la aspiradora funcione automáticamente al activar el interruptor de la herramienta.

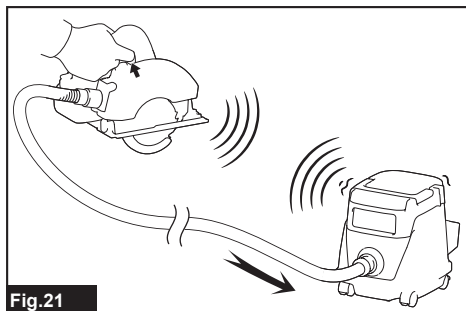


Fig.21

AVISO: Asegúrese de consultar el manual de instrucciones de la herramienta cuando utilice la aspiradora con la función de activación inalámbrica.

AVISO: No desarme ni modifique la unidad inalámbrica.

AVISO: Para impedir que entre el polvo en la ranura de la unidad inalámbrica, cierre siempre bien la tapa durante la operación o el almacenamiento.

AVISO: No retire la unidad inalámbrica mientras se esté suministrando electricidad. De lo contrario se podría causar una avería de la unidad inalámbrica.

AVISO: No oprima el botón de activación inalámbrica demasiado fuerte ni lo haga con ningún objeto que tenga un borde filoso.

NOTA: La activación inalámbrica requiere que la unidad inalámbrica esté equipada con herramientas Makita.

NOTA: Antes de usar por primera vez la función de activación inalámbrica con cada herramienta, es necesario registrar la herramienta. Una vez finalizado el registro de la herramienta, éste no será necesario de nuevo a menos que haya sido cancelado.

NOTA: Antes del registro, asegúrese de que la unidad inalámbrica haya sido insertada correctamente.

NOTA: Una unidad inalámbrica puede registrar hasta 10 enlaces con otras unidades inalámbricas. Si se registran más de otras 10 unidades inalámbricas a una unidad inalámbrica, la registrada al principio se cancelará automáticamente.

NOTA: La posición del botón de activación inalámbrica varía en función de la herramienta.

NOTA: La aspiradora también puede ponerse en marcha oprimiendo el botón de encendido/apagado cuando el interruptor de modo en espera está ajustado en "AUTO". Sin embargo, el botón de encendido/apagado no se activará cuando la función de activación inalámbrica se esté utilizando.

Instalación de la unidad inalámbrica

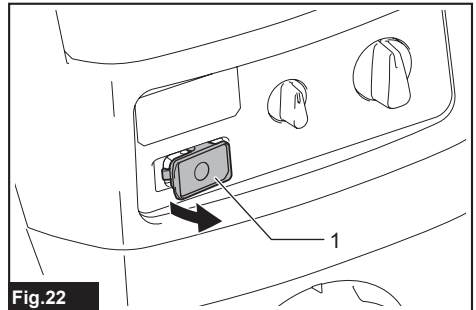
PRECAUCIÓN: Coloque la aspiradora sobre una superficie plana y estable cuando vaya a instalar la unidad inalámbrica.

AVISO: Limpie el polvo y la suciedad en la aspiradora antes de instalar la unidad inalámbrica. El polvo o la suciedad podrían causar una avería si llegan a introducirse en la ranura de la unidad inalámbrica.

AVISO: Para evitar una avería a causa de la electricidad estática, toque un material de descarga de electricidad estática, tal como una pieza metálica antes de levantar la unidad inalámbrica.

AVISO: Cuando vaya a instalar la unidad inalámbrica, asegúrese siempre de que ésta sea insertada en la dirección correcta y que la tapa esté completamente cerrada.

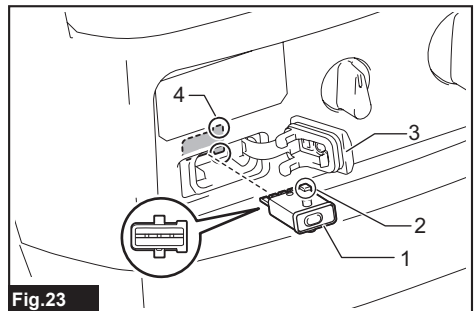
1. Abra la tapa de la aspiradora tal como se muestra en la ilustración.



- ▶ 1. Tapa

2. Inserte la unidad inalámbrica en la ranura y luego cierre la tapa.

Cuando inserte la unidad inalámbrica, alinee las partes salientes con las partes cóncavas en la ranura.



- ▶ 1. Unidad inalámbrica 2. Parte saliente 3. Tapa 4. Parte cóncava

Cuando extraiga la unidad inalámbrica, abra la tapa lentamente. Los ganchos en la parte posterior de la tapa levantarán la unidad inalámbrica mientras usted jala hacia arriba la tapa.

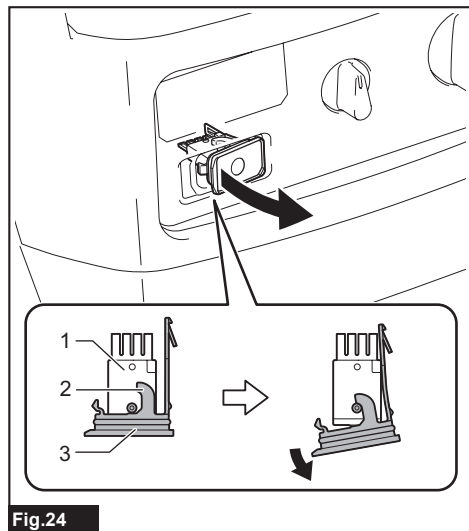


Fig.24

► 1. Unidad inalámbrica 2. Gancho 3. Tapa

Una vez extraída la unidad inalámbrica, guárdela en el estuche suministrado o en un contenedor libre de electricidad estática.

AVISO: Use siempre los ganchos en la parte posterior de la tapa cuando extraiga la unidad inalámbrica. Si los ganchos no sujetan la unidad inalámbrica, cierre la tapa por completo y vuelva a abrirla lentamente.

Registro de herramientas para la aspiradora

NOTA: Para el registro de la herramienta, se requiere una herramienta Makita compatible con la función de activación inalámbrica.

NOTA: Termine de instalar la unidad inalámbrica en la herramienta antes de comenzar con el registro de la herramienta.

NOTA: Durante el registro de la herramienta, no jale el gatillo interruptor en la herramienta ni active el interruptor de encendido/apagado en la aspiradora.

NOTA: Consulte también el manual de instrucciones de la herramienta.

Si desea activar la aspiradora junto con el interruptor de activación de la herramienta, termine antes con el registro de la herramienta.

1. Instale las unidades inalámbricas en la aspiradora y en la herramienta respectivamente.
2. Instale las baterías en la aspiradora y en la herramienta.

3. Ajuste el interruptor de modo en espera en la aspiradora en "AUTO".

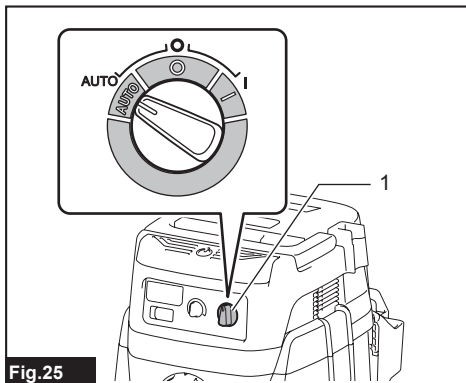


Fig.25

► 1. Interruptor de modo en espera

4. Oprima el botón de activación inalámbrica en la aspiradora durante 3 segundos hasta que la luz indicadora de activación inalámbrica parpadee en verde. Y luego oprima el botón de activación inalámbrica en la herramienta de la misma manera.

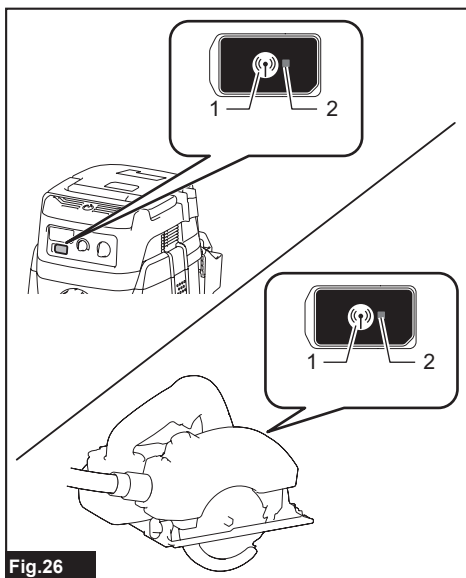


Fig.26

► 1. Botón de activación inalámbrica 2. Luz indicadora de activación inalámbrica

Si la aspiradora y la herramienta han sido conectadas exitosamente, las luces indicadoras de activación inalámbrica se encenderán en verde durante 2 segundos y comenzarán a parpadear en azul.

NOTA: Las luces indicadoras de activación inalámbrica terminarán parpadeando en verde después de un lapso de 20 segundos. Oprima el botón de activación inalámbrica en la herramienta mientras la luz indicadora de activación inalámbrica en la aspiradora esté parpadeando. Si la luz indicadora de activación inalámbrica no parpadea en verde, oprima el botón de activación inalámbrica durante un lapso breve y vuelva a mantenerlo oprimido.

NOTA: Cuando realice dos o más registros de herramientas para una aspiradora, termine el registro de las herramientas de uno en uno.

Inicio de la función de activación inalámbrica

NOTA: Termine con el registro de la herramienta en la aspiradora para la activación inalámbrica.

NOTA: Coloque siempre la aspiradora de manera que pueda ver el estado de la luz indicadora de activación inalámbrica.

NOTA: Consulte también el manual de instrucciones de la herramienta.

Después de registrar una herramienta en la aspiradora, esta última se activará automáticamente junto con el interruptor de activación de la herramienta.

1. Instale las unidades inalámbricas en la aspiradora y en la herramienta respectivamente.
2. Instale las baterías en la aspiradora y en la herramienta.
3. Conecte la manguera de la aspiradora a la herramienta.

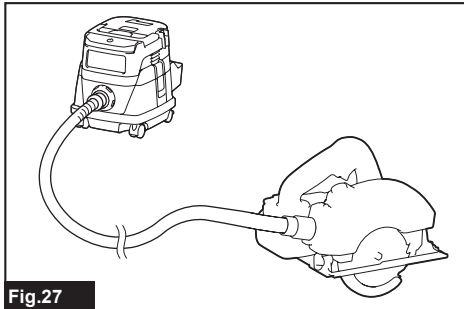


Fig.27

4. Ajuste el interruptor de modo en espera en la aspiradora en "AUTO".

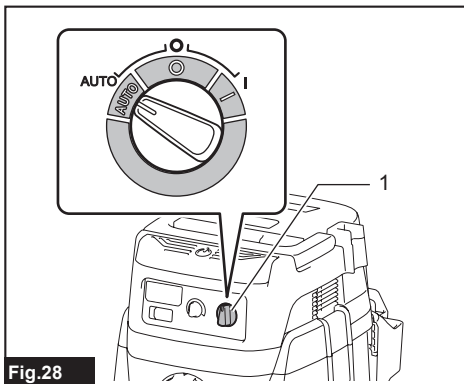


Fig.28

- 1. Interruptor de modo en espera

5. Oprima el botón de activación inalámbrica en la herramienta durante un lapso breve. La luz indicadora de activación inalámbrica parpadeará en azul.

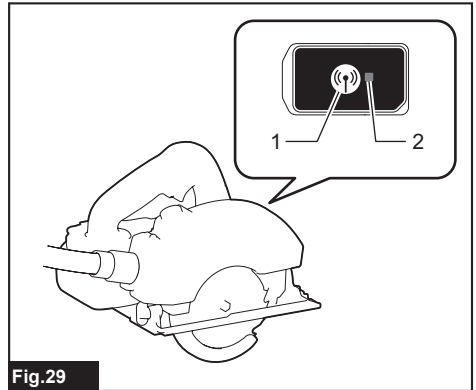


Fig.29

- 1. Botón de activación inalámbrica 2. Luz indicadora de activación inalámbrica

6. Encienda la herramienta. Compruebe si la aspiradora funciona mientras la herramienta está en funcionamiento.

PRECAUCIÓN: Verifique siempre que funciona la función de activación inalámbrica antes de empezar a trabajar con la herramienta.

Para detener la activación inalámbrica, oprima el botón de activación inalámbrica en la herramienta, o ajuste el interruptor de modo en espera en la aspiradora en "I" o en "O".

NOTA: La luz indicadora de activación inalámbrica en la herramienta dejará de parpadear en azul cuando no haya operación durante 2 horas. En este caso, ajuste el interruptor de modo en espera en la aspiradora en "AUTO" y oprima el botón de activación inalámbrica en la herramienta nuevamente.

NOTA: La aspiradora se pondrá en marcha/detendrá con un retraso. Existirá un desfase cuando la aspiradora detecte la activación del interruptor de la herramienta.

NOTA: La distancia de transmisión de la unidad inalámbrica podrá variar en función del lugar y las circunstancias de los alrededores.

NOTA: Cuando dos o más herramientas estén registradas en una aspiradora, esta última podrá comenzar a funcionar incluso si usted no enciende la herramienta, debido a que otro usuario está utilizando la función de activación inalámbrica.

Cancelación del registro de herramientas para la aspiradora

Realice el siguiente procedimiento para cancelar el registro de la herramienta para la aspiradora.

1. Instale las unidades inalámbricas en la aspiradora y en la herramienta respectivamente.
2. Instale las baterías en la aspiradora y en la herramienta.
3. Ajuste el interruptor de modo en espera en la aspiradora en "AUTO".

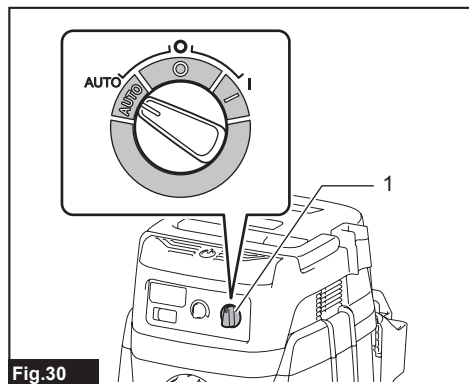


Fig.30

- 1. Interruptor de modo en espera

4. Oprima el botón de activación inalámbrica en la aspiradora durante 6 segundos. La luz indicadora de activación inalámbrica parpadeará en verde y luego se pondrá en rojo. Después de eso, oprima el botón de activación inalámbrica en la herramienta de la misma manera.

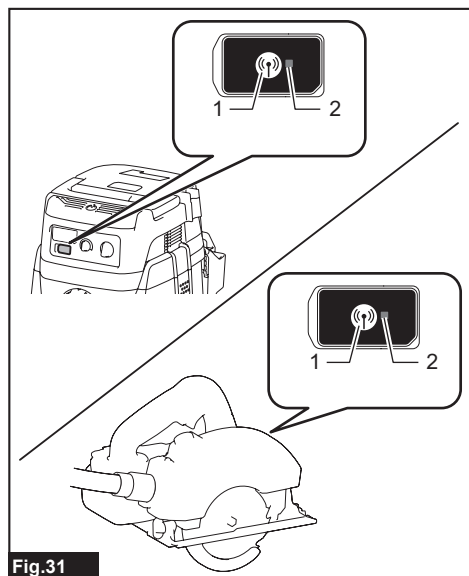


Fig.31

- 1. Botón de activación inalámbrica 2. Luz indicadora de activación inalámbrica

Si la cancelación se realiza exitosamente, las luces indicadoras de activación inalámbrica se encenderán en rojo durante 2 segundos y comenzarán a parpadear en azul.

NOTA: Las luces indicadoras de activación inalámbrica terminarán parpadearo en rojo después de un lapso de 20 segundos. Oprima el botón de activación inalámbrica en la herramienta mientras la luz indicadora de activación inalámbrica en la aspiradora esté parpadearo. Si la luz indicadora de activación inalámbrica no parpadea en rojo, oprima el botón de activación inalámbrica durante un lapso breve y vuelva a mantenerlo oprimido.

Borrado de todos los registros de herramientas

Usted puede borrar todos los registros de herramientas de la aspiradora como se indica a continuación.

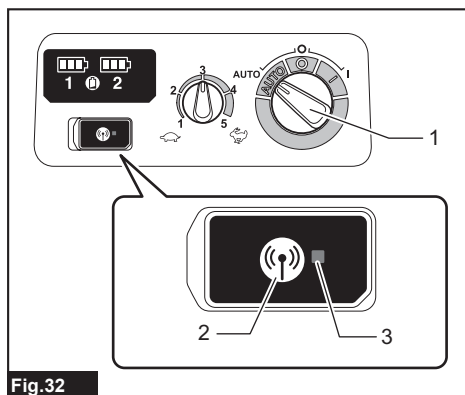


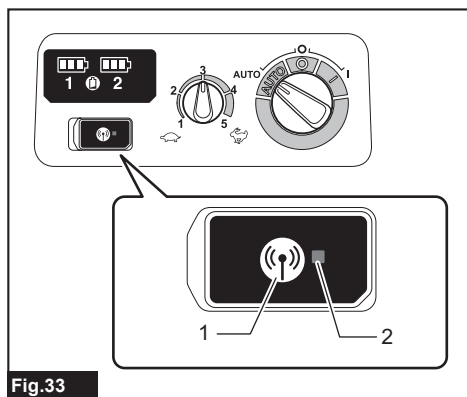
Fig.32

- 1. Interruptor de modo en espera 2. Botón de activación inalámbrica 3. Luz indicadora de activación inalámbrica

1. Instale la unidad inalámbrica en la aspiradora.
2. Instale las baterías en la aspiradora.
3. Ajuste el interruptor de modo en espera en "AUTO".
4. Mantenga oprimido el botón de activación inalámbrica durante aproximadamente 6 segundos hasta que la luz indicadora de activación inalámbrica parpadee en rojo (cerca de dos veces durante un segundo).
5. Cuando la luz indicadora de activación inalámbrica comience a parpadear en rojo, suelte el botón de activación inalámbrica. Posteriormente, vuelva a mantener oprimido el botón de activación inalámbrica alrededor de 6 segundos.
6. Cuando la luz indicadora de activación inalámbrica comience a parpadear rápidamente en rojo (cerca de 5 veces durante un segundo), suelte el botón de activación inalámbrica. Cuando la luz indicadora de activación inalámbrica se encienda en rojo y luego se apague, todos los registros de herramientas se habrán borrado.

NOTA: Si la luz indicadora de activación inalámbrica no parpadea en rojo, oprima el botón de activación inalámbrica durante un lapso breve e inténtelo nuevamente.

Descripción del estado de la luz indicadora de activación inalámbrica



► 1. Botón de activación inalámbrica 2. Luz indicadora de activación inalámbrica

La luz indicadora de activación inalámbrica muestra el estado de la función de activación inalámbrica. Consulte la tabla a continuación para ver qué significa el estado de la luz indicadora.

Estado	Luz indicadora de activación inalámbrica				Descripción
	Color	<input type="checkbox"/> Encendida	<input type="checkbox"/> Parpadeando	Duración (aproximada)	
En espera	Azul	<input checked="" type="checkbox"/>		Aspiradora: continua Herramienta: 2 horas	Se está esperando el registro de la herramienta o la función de activación inalámbrica están disponibles. La luz indicadora en la aspiradora parpadea cuando el interruptor de modo en espera está ajustado en "AUTO". La luz indicadora en la herramienta parpadea cuando se presiona el botón de activación inalámbrica. La luz indicadora en la herramienta se apaga automáticamente cuando no se realiza ninguna operación durante 2 horas.
		<input type="checkbox"/>		Cuando la herramienta está funcionando.	La activación inalámbrica de la aspiradora está disponible y la herramienta está funcionando.
Registro de la herramienta	Verde	<input checked="" type="checkbox"/>		20 segundos	Ya se puede realizar el registro de la herramienta. Se está buscando la herramienta que se va a registrar.
		<input type="checkbox"/>		2 segundos	El registro de la herramienta ha terminado. La luz indicadora de activación inalámbrica comenzará a parpadear en azul.
Cancelación/borrado del registro de herramientas	Rojo	<input checked="" type="checkbox"/>	(lento: 2 veces/s)	20 segundos	Ya se puede cancelar el registro de la herramienta. Se está buscando la herramienta que se va a cancelar.
		<input checked="" type="checkbox"/>	(rápido: 5 veces/s)	Cuando el botón de activación inalámbrica es presionado.	Ya se pueden borrar todos los registros de herramientas.
		<input type="checkbox"/>		2 segundos	El registro de la herramienta ha sido cancelado/borrado. La luz indicadora de activación inalámbrica comenzará a parpadear en azul.
Otros	Rojo	<input type="checkbox"/>		3 segundos	La energía es suministrada a la unidad inalámbrica y la función de activación inalámbrica está arrancando.
		Apagada	-	-	El interruptor de modo en espera no está ajustado en "AUTO".

DetECCIÓN Y SOLUCIÓN DE PROBLEMAS PARA LA FUNCIÓN DE ACTIVACIÓN INALÁMBRICA

Antes de solicitar alguna reparación, primero realice una inspección por su cuenta. Si detecta algún problema que no esté explicado en el manual, no intente desensamblar la herramienta. En vez de esto, solicite la reparación a un centro de servicio autorizado de Makita, usando siempre piezas de repuesto Makita.

Estado de la anomalía	Causa probable (avería)	Remedio
La luz indicadora de activación inalámbrica no enciende/parpadea.	La unidad inalámbrica no está instalada en la aspiradora y/o la herramienta. La unidad inalámbrica está instalada incorrectamente en la aspiradora y/o la herramienta.	Instale la unidad inalámbrica correctamente.
	La terminal de la unidad inalámbrica y/o la ranura está sucia.	Retire con cuidado el polvo y la suciedad en la terminal de la unidad inalámbrica y limpie la ranura de la aspiradora y/o de la herramienta.
	El botón de activación inalámbrica en la herramienta no se ha oprimido.	Oprima el botón de activación inalámbrica en la herramienta durante un lapso breve.
	El interruptor de modo en espera en la aspiradora no está ajustado en "AUTO".	Ajuste el interruptor de modo en espera en la aspiradora en "AUTO".
	No hay suministro de energía.	Suministre energía a la herramienta y a la aspiradora.
No se puede terminar/cancelar el registro de la herramienta exitosamente.	La unidad inalámbrica no está instalada en la aspiradora y/o la herramienta. La unidad inalámbrica está instalada incorrectamente en la aspiradora y/o la herramienta.	Instale la unidad inalámbrica correctamente.
	La terminal de la unidad inalámbrica y/o la ranura está sucia.	Retire con cuidado el polvo y la suciedad en la terminal de la unidad inalámbrica y limpie la ranura de la aspiradora y/o de la herramienta.
	El interruptor de modo en espera en la aspiradora no está ajustado en "AUTO".	Ajuste el interruptor de modo en espera en la aspiradora en "AUTO".
	No hay suministro de energía.	Suministre energía a la herramienta y a la aspiradora.
	Operación incorrecta	Oprima el botón de activación inalámbrica durante un lapso breve y realice los procedimientos de registro/cancelación de la herramienta nuevamente.
	La herramienta y la aspiradora están lejos una de la otra (fuera del rango de transmisión).	Acerque más la herramienta a la aspiradora. La distancia máxima de transmisión es de aproximadamente 10 m, pero puede variar en función de las circunstancias.
	Antes de terminar el registro o cancelación de la herramienta: - que el interruptor de la herramienta se encienda; o - que el botón de la aspiradora se encienda.	Oprima el botón de activación inalámbrica durante un lapso breve y realice los procedimientos de registro/cancelación de la herramienta nuevamente.
	Los procedimientos de registro para la herramienta o la aspiradora no se han terminado.	Realice los procedimientos de registro tanto para la herramienta como para la aspiradora al mismo tiempo.
La perturbación radioeléctrica generada por otros aparatos que emiten ondas de radio de alta intensidad.	Mantenga la herramienta y la aspiradora lejos de aparatos tales como dispositivos Wi-Fi y hornos de microondas.	

Estado de la anomalía	Causa probable (avería)	Remedio
La aspiradora no funciona junto con el interruptor de activación de la herramienta.	La unidad inalámbrica no está instalada en la aspiradora y/o la herramienta. La unidad inalámbrica está instalada incorrectamente en la aspiradora y/o la herramienta.	Instale la unidad inalámbrica correctamente.
	La terminal de la unidad inalámbrica y/o la ranura está sucia.	Retire con cuidado el polvo y la suciedad en la terminal de la unidad inalámbrica y limpie la ranura de la aspiradora y/o de la herramienta.
	El botón de activación inalámbrica en la herramienta no se ha oprimido.	Oprima el botón de activación inalámbrica durante un lapso breve y asegúrese de que la luz indicadora de activación inalámbrica esté parpadeando en azul.
	El interruptor de modo en espera en la aspiradora no está ajustado en "AUTO".	Ajuste el interruptor de modo en espera en la aspiradora en "AUTO".
	Más de 10 herramientas están registradas en la aspiradora.	Vuelva a realizar el registro de la herramienta. Si más de 10 herramientas están registradas en la aspiradora, la herramienta registrada al principio se cancelará automáticamente.
	La aspiradora borró todos los registros de herramientas.	Vuelva a realizar el registro de la herramienta.
	No hay suministro de energía.	Suministre energía a la herramienta y a la aspiradora.
	La herramienta y la aspiradora están lejos una de la otra (fuera del rango de transmisión).	Acerque más la herramienta a la aspiradora. La distancia máxima de transmisión es de aproximadamente 10 m, pero puede variar en función de las circunstancias.
	La perturbación radioeléctrica generada por otros aparatos que emiten ondas de radio de alta intensidad.	Mantenga la herramienta y la aspiradora lejos de aparatos tales como dispositivos Wi-Fi y hornos de microondas.
La aspiradora funciona mientras la herramienta no está en funcionamiento.	Otros usuarios están usando la activación inalámbrica de la aspiradora con sus herramientas.	Apague el botón de activación inalámbrica de las demás herramientas o cancele el registro de dichas herramientas.
No se pueden borrar todos los registros de herramientas en la aspiradora.	El botón de activación inalámbrica en la herramienta está oprimido.	Oprima el botón de activación inalámbrica en la aspiradora para borrar todos los registros de herramientas.
	El interruptor de modo en espera en la aspiradora no está ajustado en "AUTO".	Ajuste el interruptor de modo en espera en la aspiradora en "AUTO".
	El botón de activación inalámbrica no se está manteniendo oprimido de forma correcta.	Mantenga oprimido el botón de activación inalámbrica durante más de 6 segundos y luego suéltelo cuando la luz indicadora de activación inalámbrica parpadee en rojo. Mantenga oprimido el botón de activación inalámbrica durante más de 6 segundos nuevamente hasta que el botón de activación inalámbrica parpadee rápidamente en rojo y luego suelte el botón.

MANTENIMIENTO

⚠ PRECAUCIÓN: Asegúrese siempre de que la herramienta esté apagada y el cartucho de batería extraído antes de intentar realizar una inspección o mantenimiento.

AVISO: Nunca use gasolina, bencina, diluyente (tiner), alcohol o sustancias similares. Puede que esto ocasione grietas o descoloramiento.

Para mantener la SEGURIDAD y FIABILIDAD del producto, las reparaciones, y cualquier otra tarea de mantenimiento o ajuste deberán ser realizadas en centros de servicio autorizados o de fábrica Makita, empleando siempre repuestos Makita.

Almacenamiento de los accesorios

Los tubos se pueden colocar en el portatubos cuando no vaya a utilizar la aspiradora por poco tiempo.



Fig.34

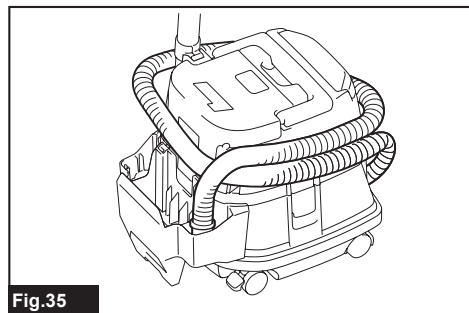


Fig.35

La manguera se puede guardar alrededor de la herramienta conectando los extremos.

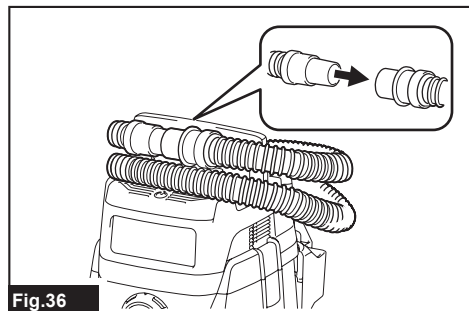


Fig.36

Limpeza del filtro de polvo (HEPA) y el prefiltro

La obstrucción del filtro de polvo, el prefiltro y el amortiguador causa que el desempeño de la succión sea deficiente. Limpie los filtros y amortiguadores ocasionalmente.

Para eliminar el polvo o las partículas adheridos a los filtros, sacuda con rapidez varias veces la parte inferior del marco.

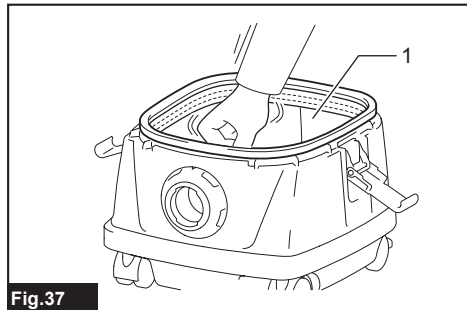


Fig.37

► 1. Prefiltro

De vez en cuando lave el filtro de polvo con agua, enjuáguelo y séquelo bien a la sombra antes de usarlo. Nunca lave los filtros en la lavadora.

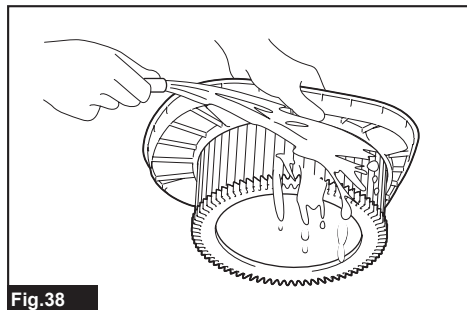


Fig.38

NOTA: No frote ni raye el filtro de polvo, el prefiltro o el amortiguador con objetos duros tales como un cepillo y una pala.

NOTA: Los filtros se desgastan con el tiempo. Se recomienda contar con piezas de repuesto.

ACCESORIOS OPCIONALES

⚠️ PRECAUCIÓN: Estos accesorios o aditamentos están recomendados para utilizarse con su herramienta Makita especificada en este manual.

El empleo de cualquier otro accesorio o aditamento puede conllevar el riesgo de lesiones personales.

Utilice los accesorios o aditamentos solamente para su fin establecido.

Si necesita cualquier ayuda para más detalles en relación con estos accesorios, pregunte a su centro de servicio local Makita.

- Manguera
- Boca delantera (22, 24, 38)
- Tubo recto
- Tubo de extensión
- Boquilla para esquinas
- Cepillo redondo
- Filtro de polvo, HEPA (para polvo seco)
- Amortiguador
- Prefiltro
- Conjunto de boquillas
- Tubo curvo
- Bolsa de polietileno
- Bolsa de papel para polvo
- Juego de sujetadores
- Batería y cargador originales de Makita

NOTA: Algunos de los artículos en la lista pueden incluirse en el paquete de la herramienta como accesorios estándar. Éstos pueden variar de país a país.

GARANTÍA LIMITADA DE MAKITA

Ésta Garantía no aplica para México

Consulte la hoja de la garantía anexa para ver los términos más vigentes de la garantía aplicable a este producto. En caso de no disponer de esta hoja de garantía anexa, consulte los detalles sobre la garantía descritos en el sitio web de su país respectivo indicado a continuación.

Estados Unidos de América: www.makitatools.com

Canadá: www.makita.ca

Otros países: www.makita.com

< USA only >

WARNING

Some dust created by power sanding, sawing, grinding, drilling, and other construction activities contains chemicals known to the State of California to cause cancer, birth defects or other reproductive harm. Some examples of these chemicals are:

- lead from lead-based paints,
- crystalline silica from bricks and cement and other masonry products, and
- arsenic and chromium from chemically-treated lumber.

Your risk from these exposures varies, depending on how often you do this type of work. To reduce your exposure to these chemicals: work in a well ventilated area, and work with approved safety equipment, such as those dust masks that are specially designed to filter out microscopic particles.

< Sólo en los Estados Unidos >

ADVERTENCIA

Algunos polvos creados por el lijado, aserrado, esmerilado, taladrado y otras actividades de la construcción contienen sustancias químicas reconocidas por el Estado de California como causantes de cáncer, defectos de nacimiento y otros peligros de reproducción. Algunos ejemplos de estos productos químicos son:

- plomo de pinturas a base de plomo,
- sílice cristalino de ladrillos y cemento y otros productos de albañilería, y
- arsénico y cromo de maderas tratadas químicamente.

El riesgo al que se expone varía, dependiendo de la frecuencia con la que realice este tipo de trabajo. Para reducir la exposición a estos productos químicos: trabaje en un área bien ventilada y póngase el equipo de seguridad indicado, tal como las máscaras contra polvo que están especialmente diseñadas para filtrar partículas microscópicas.

Makita Corporation

3-11-8, Sumiyoshi-cho,
Anjo, Aichi 446-8502 Japan

www.makita.com

885781A930
DVC867L-1
EN, FRCA, ESMX
20220624